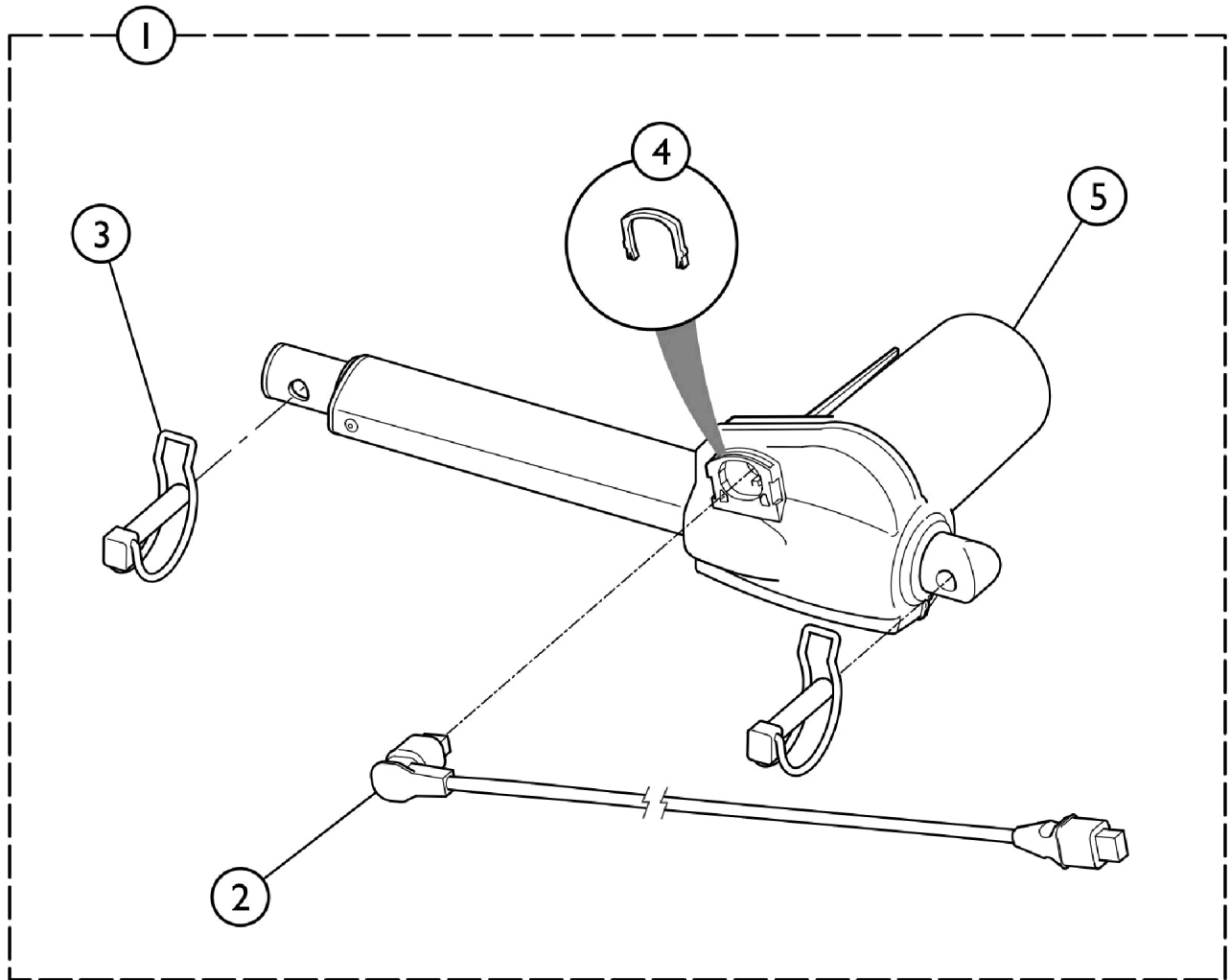


Motor, Leg End



SBP_070A

Motor, Leg End

Item Number	Note	Part Number	Description	Quantity Per	
				Package	Assembly
1	A	SP1552616	Motor, Leg End, Complete	1	1
2		SP1551457-703 5	Cable, Actuator (LA27, 1250mm)	1	1
3		SP819411	Retaining Pin Assembly (10 mm Dia. x 50)	1	1
4		SP1551875	Locking Clip (10 ea.)	10	1
5		SP1551456-703 5	Actuator (24V, LA27)	1	1

NOTE: A - Includes items 2 - 5.