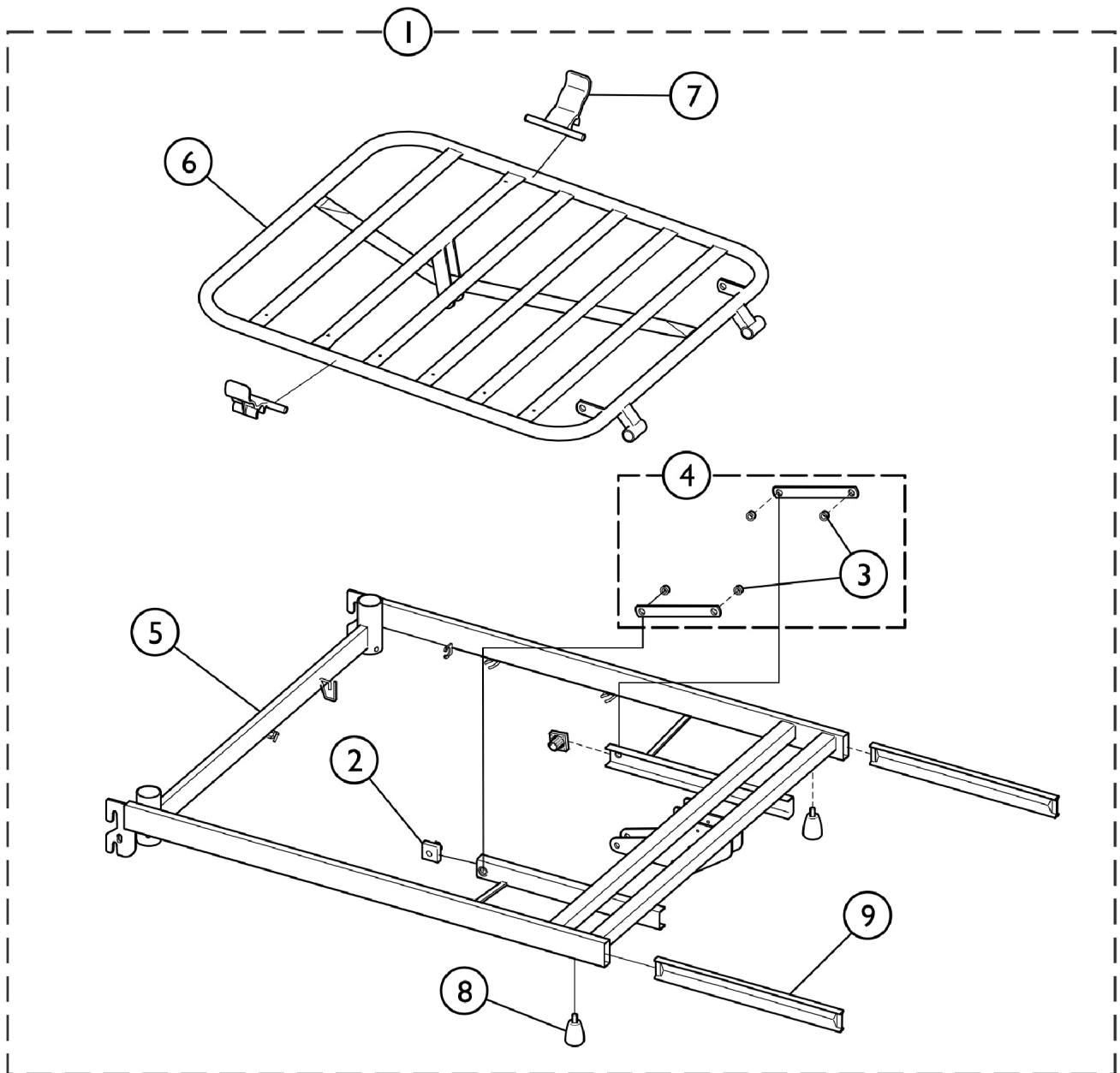


Mattress Support, Head End, w/ Auto Regression



SBP_104A

Mattress Support, Head End, w/ Auto Regression

| Item Number | Note | Part Number | Description | Quantity Per | |
|---|------|---------------|--|--------------|----------|
| | | | | Package | Assembly |
| 1 | A | SP1530669 | Head Frame, Complete w/ Autoregression Kit | 1 | 1 |
| 2 | | SP319155-7035 | Slide Shoe, Grey (Pair) | 2 | 1 |
| 3 | | SP1435195 | Kit, Rivet Replacement | 1 | 1 |
| 4 | B | SP420939 | Kit, Tension Rod | 1 | 1 |
| 4 | C | SP1587778 | Kit, Tension Rod | 1 | 1 |
| 5 | B | SP1584406 | Top Frame, Head End | 1 | 1 |
| 5 | C | SP1587784 | Top Frame, Head End | 1 | 1 |
| 6 | B | SP1530713 | Backrest | 1 | 1 |
| 6 | C | SP1587785 | Backrest | 1 | 1 |
| 7 | | SP1574230 | Mattress Holder (Pair) | 2 | 1 |
| 8 | | SP1584437 | Screw, Finger (M8 x 13) (Pair) | 2 | 1 |
| 9 | | SP1584419 | Insert Tubes (Pair) | 2 | 1 |
| NOTE: A - Includes items 2 - 9. B - Before 4/1/16 C - After 3/31/16 | | | | | |