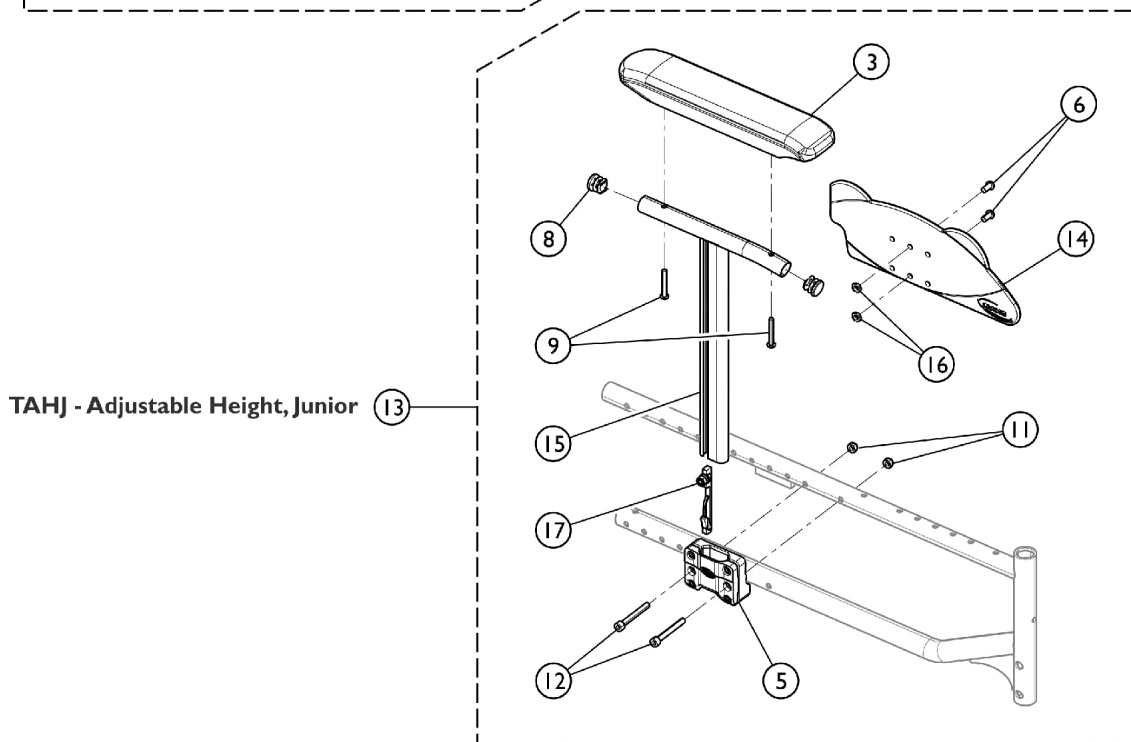
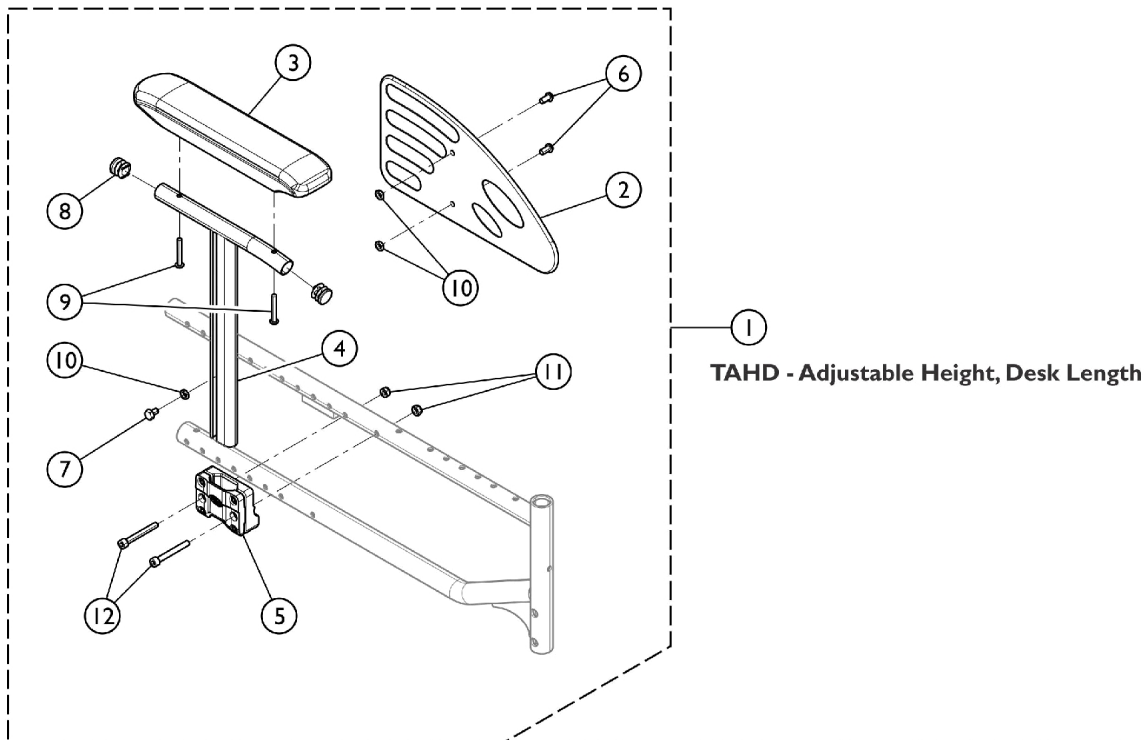


# Arms - T Style Adjustable - Junior, Active (TAHJ, TAHD)

Myon, Myon Active (TAHD - Adjustable Height, Desk Length)  
 Myon Junior (TAHJ - Adjustable Height, Junior)



# Arms - T Style Adjustable - Junior, Active (TAHJ, TAHD)

## Myon, Myon Active (TAHD - Adjustable Height, Desk Length)

## Myon Junior (TAHJ - Adjustable Height, Junior)

Item Number	Note	Part Number	Description	Quantity Per	
				Package	Assembly
1	C,A	1489055	T-Arm Assembly, Desk Length, Junior - Right	1	1
2			Arm Pad, Desk Length	1	1
3			Support, T Arm, Junior	1	1
4			NLA - Support, Armrest	1	1
5			Guard, Clothing - Right/Left	1	1
6			Plug Button, Black (3/4")	1	2
7			Screw, Socket Button Head (M6 x 1 x 12mm)	1	2
8			Nut (M6)	1	2
9			Screw, Socket, Button Head (M5 x 35mm)	1	2
10			Screw, Socket Head (M6 x 50)	1	2
11			NLA - Locknut (M6 x 1)	1	2
12			Screw (M6 x 1 x 10mm)	1	1
1	C,A	1489056	T-Arm Assembly, Desk Length, Junior - Left	1	1
2			Arm Pad, Desk Length	1	1
3			Support, T Arm, Junior	1	1
4			NLA - Support, Armrest	1	1
5			Guard, Clothing - Right/Left	1	1
6			Plug Button, Black (3/4")	1	2
7			Screw, Socket Head (M6 x 50)	1	2
8			Nut (M6)	1	3
9			Screw, Socket, Button Head (M5 x 35mm)	1	2
10			Screw, Socket Head (M6 x 50)	1	2
11			NLA - Locknut (M6 x 1)	1	2
12			Screw (M6 x 1 x 10mm)	1	3
13	D,B	1512645	T-Arm Assembly w/ Hardware, Junior, Bear - Right	1	1
3			Arm Pad, Desk Length	1	1
5			NLA - Support, Armrest	1	1
6			Screw, Socket Button Head (M6 x 1 x 12mm)	1	2
8			Plug Button, Black (3/4")	1	2
9			Screw, Socket, Button Head (M5 x 35mm)	1	2
11			NLA - Locknut (M6 x 1)	1	2
12			Screw, Socket Head (M6 x 50)	1	2
14			Guard, Clothing, Junior	1	1
15			Support, Armrest, Junior - Right	1	1
16			Nut (M6)	1	2
17			Locking Pin Assembly	1	1
13	D,B	1512646	T-Arm Assembly w/ Hardware, Junior, Bear - Left	1	1
3			Arm Pad, Desk Length	1	1
5			NLA - Support, Armrest	1	1
6			Screw, Socket Button Head (M6 x 1 x 12mm)	1	2
8			Plug Button, Black (3/4")	1	2
9			Screw, Socket, Button Head (M5 x 35mm)	1	2
11	NLA - Locknut (M6 x 1)	1	2		

**Arms - T Style Adjustable - Junior, Active (TAHJ, TAHD)**  
**Myon, Myon Active (TAHD - Adjustable Height, Desk Length)**  
**Myon Junior (TAHJ - Adjustable Height, Junior)**

Item Number	Note	Part Number	Description	Quantity Per	
				Package	Assembly
12			Screw, Socket Head (M6 x 50)	1	2
14			Guard, Clothing, Junior	1	1
15			Support, Armrest, Junior, Left	1	1
16			Nut (M6)	1	2
17			Locking Pin Assembly	1	1
NOTE: A - Includes items 2 - 12. B - Includes items 3, 5, 6, 8, 9, 11, 12, 14, 15, 16, and item 17. C - Used with Myon and Myon Active Desk Length Chairs (TAHD). D - Used with Myon Junior Desk Length Chairs (TAHJ).					