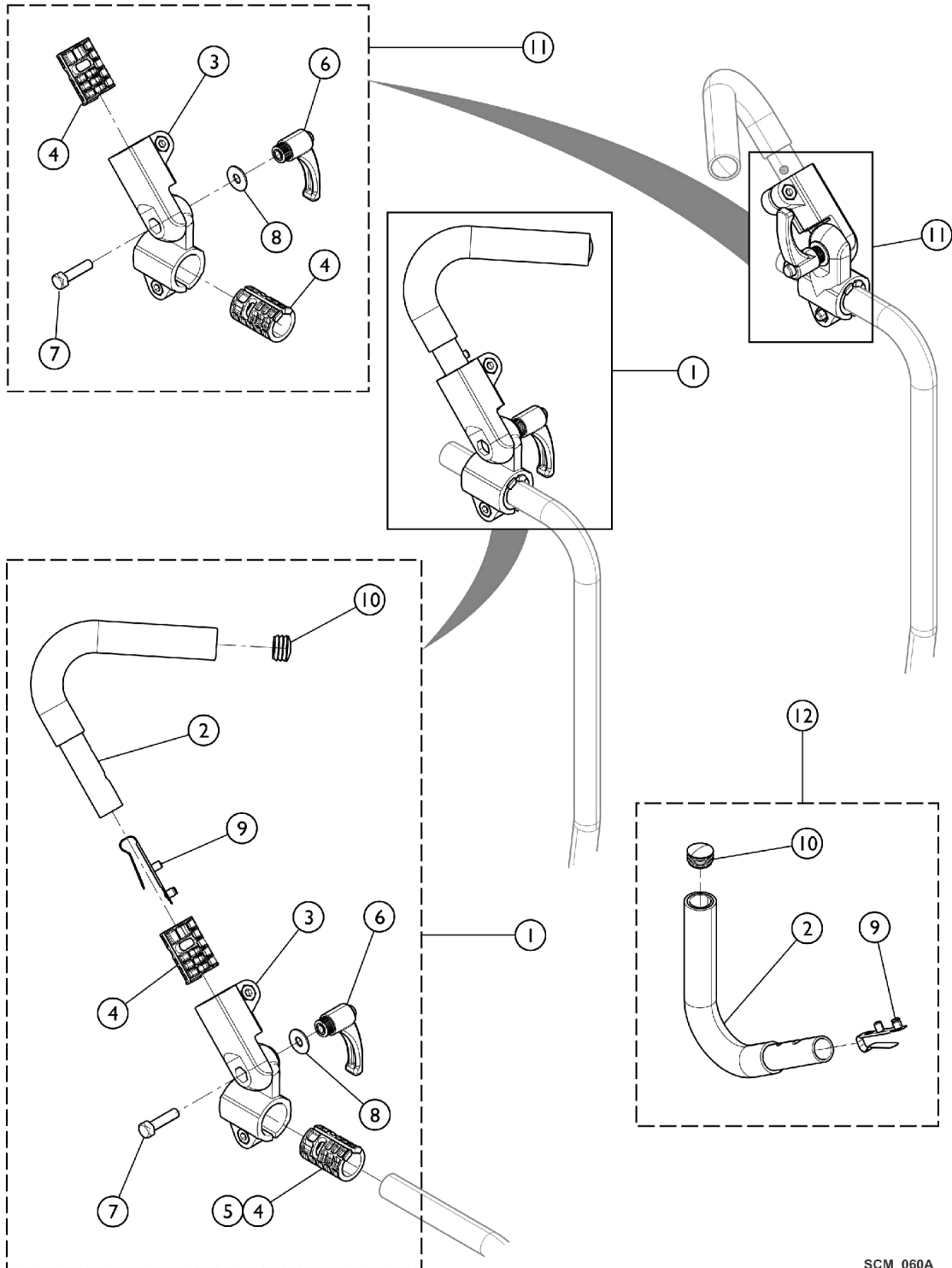


# Push Handles



SCM\_060A

## Push Handles

Item Number	Note	Part Number	Description	Quantity Per	
				Package	Assembly
1	A	1192341	Kit, Handle, Stroller 7/8" Cane	1	1
			Instruction Sheet, Service, Myon	1	1
	B	1557041	Kit, Push Handles w/ Hardware (7/8" Cane)	1	1
	2		Push Bar Assembly	1	2
	3		Swivel Coupling	1	2
	4		Ring, Push, Reduction Bar (7/8")	1	4
	6		Lever, Indexable, Push Handle	1	2
	7		Screw (M8 x 35 A2K 8.8 DIN931)	1	2
	8		Washer (22 x 8.4 x 1.5 ZP NFE25513)	1	2
	9		Spring, Torsion with Button Lock	1	2
10		Button, Plug (22mm)	1	2	
1	C	1192342	Kit, Handle, Stroller 1" Cane	1	1
			Instruction Sheet, Service, Myon	1	1
1	D	1192345	Kit, Push Handles w/ Hardware (1" Cane)	1	1
2			Push Bar Assembly	1	2
3			Swivel Coupling	1	2
4			Ring, Push, Reduction Bar (7/8")	1	2
5			Ring, Push, Reduction Bar (1")	1	2
6			Lever, Indexable, Push Handle	1	2
7			Screw (M8 x 35 A2K 8.8 DIN931)	1	2
8			Washer (22 x 8.4 x 1.5 ZP NFE25513)	1	2
9			Spring, Torsion with Button Lock	1	2
10			Button, Plug (22mm)	1	2
11	E	1557061	Kit, Swivel Coupling w/ Lever	1	1
3			Swivel Coupling	1	2
4			Ring, Push, Reduction Bar (7/8")	1	4
6			Lever, Indexable, Push Handle	1	2
7			Screw (M8 x 35 A2K 8.8 DIN931)	1	2
8			Washer (22 x 8.4 x 1.5 ZP NFE25513)	1	2
12	F	1557062	Kit, Push Arm Assembly w/ Hardware	1	1
2			Push Bar Assembly	1	2
9			Spring, Torsion with Button Lock	1	2
10			Button, Plug (22mm)	1	2

NOTE: A - Kit includes 1557041 and Instruction Sheet.  
 B - Kit includes items 2 - 4, and 6 - 10.  
 C - Kit includes 1192345 and Instruction Sheet.  
 D - Item 5 used with 1192345 only.  
 E - Kit includes items 3, 4, 6, 7, 8.  
 F - Kit includes items 2, 9, and 10.

### Push Handles - Where Used

Back Type	Part Number
ABH1216PH, ABH1519PH ABH1620PH, AABH1216 AABH1519, AABH1620 ABH1216, ABH1519, ABH1620	1192341

# Push Handles

## Push Handles - Where Used

Back Type	Part Number
FBH16, FBH20, FBH16F, FBH20F	1192342