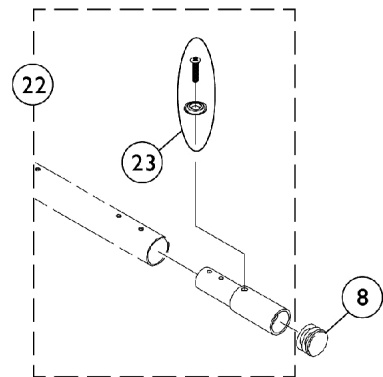
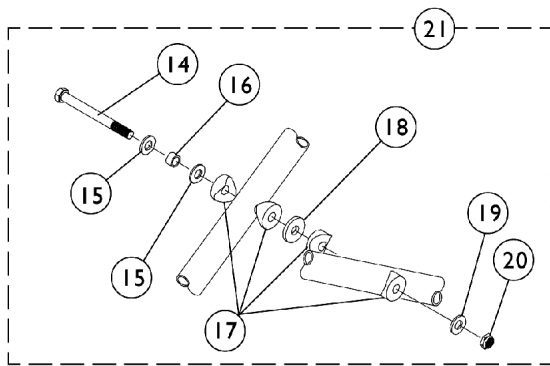
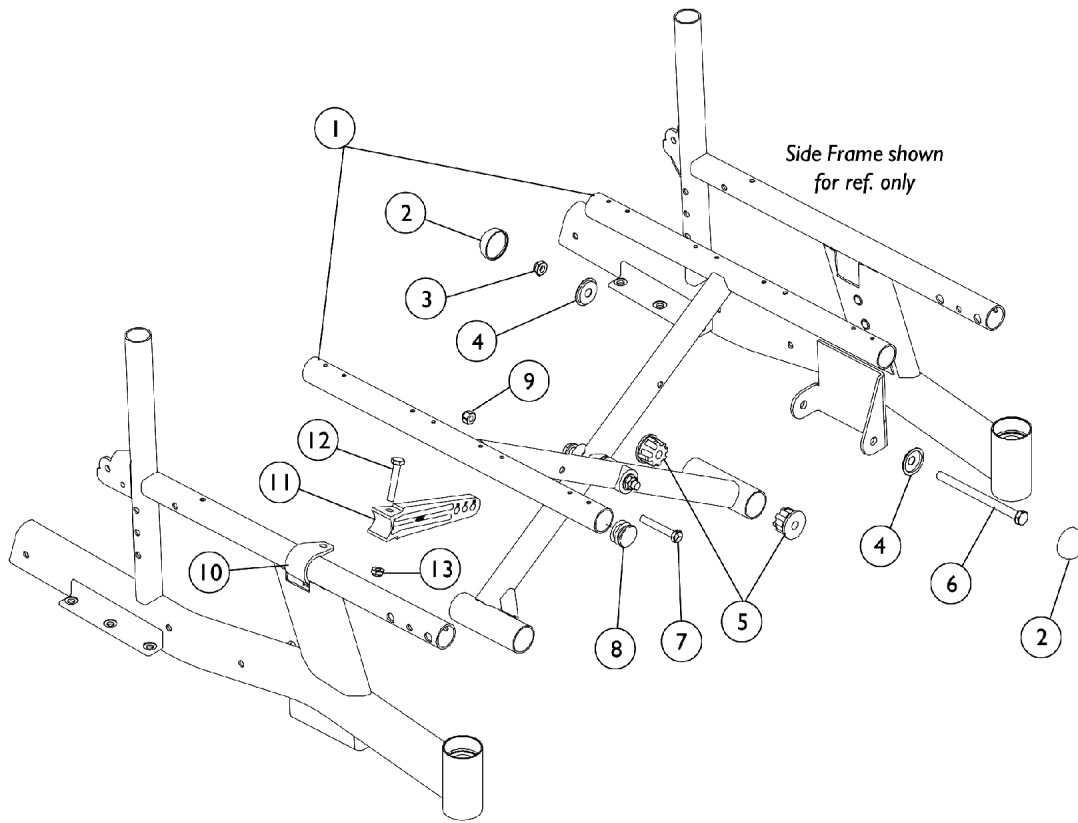


Crossbraces & Seat Extensions



Crossbraces & Seat Extensions

Item Number	Note	Part Number	Description	Quantity Per	
				Package	Assembly
1	D,D1	1064409-NLA	NLA - Crossbrace Assembly, Black (14" W)	1	2
1	D,D1	1064410-NLA	NLA - Crossbrace Assembly, Black (16" W)	1	2
1	D,D1	1064411-NLA	NLA - Crossbrace Assembly, Black (18" W)	1	2
1	D,D1	1064412-NLA	NLA - Crossbrace Assembly, Black (20" W)	1	2
2		1028835-NLA	NLA - Cap, Hub, Black	1	4
3		60264X001	Locknut (5/16-24)	1	2
4		1028491-NLA	NLA - Washer, Caplugs (11/32" I.D. x 1" O.D.)	1	4
5		1056708-NLA	NLA - Plug, Pivot Tube	1	4
	A	1057830-NLA	NLA - Hardware, Crossbrace Pivot Tube	1	1
6		1038179-NLA	NLA - Screw, Hex Head (5/16-24 x 4-1/4")	1	2
7		1055348	Screw, Hex Head (1/4-28 x 1-3/4")	1	2
8		1029501	Plug Button, Black (1")	1	4
9		1065362	Locknut (1/4-28)	1	4
10		1057828-NLA	NLA - Strap, Pivot Link	1	2
11		1057384-NLA	NLA - Link, Pivot, Adult, Black (14 - 15" W)	1	2
11		1057385-NLA	NLA - Link, Pivot, Adult, Black (16 - 18" W)	1	2
11		1057386-NLA	NLA - Link, Pivot, Adult, Black (19 - 20" W)	1	2
12		1030949	Screw, Hex Head (1/4-20 x 1-1/2")	1	2
13		1025736	Locknut (1/4-20)	1	2
14		1098625	Screw, Hex Head (5/16-24 x 3-1/2")	1	1
15		16308X000	Washer, Flat (5/16 x 11/16 x 1/16")	1	2
16		1037913-NLA	NLA - Bushing (5/16 x 7/16 x 9/32")	1	1
17		1016263	Spacer, Coved (3/4 x 1 x 1/2")	1	4
18		1016301	Washer, Nylon (5/16 x 7/8 x 1/8")	1	1
19		1025704	Washer, Flat (5/16 x 5/8 x 1/16")	1	1
20		1025730	Locknut (5/16-24)	1	1
21	B	1057832-NLA	NLA - Hardware, Crossbrace	1	1
22		1058616-NLA	NLA - Kit, Seat Extension - 1" (Pair)	2	1
22	C	1058617	Kit, Seat Extension - 2" (Pair)	2	1
23	E	1076284	Screw w/ Washer (#10 x 7/8")	1	2
23	E	1026298	Package, Screw with Washer (#10 x 7/8") (Pair)	2	1
23	F	1131378	Kit, Hardware	1	1
			Screw, Phillips Oval Head (#12-14 x 7/8")	1	12
			Washer (1/4 x 3/4 x 3/32")	1	12

NOTE: A - Not Shown in illustration. Includes items 2 - 6.
 B - Includes items 14 - 20.
 C - Used After 2/2/16. Includes the Extension Tubes, 2 ea. quantity of part #1054687 Screws and 1025707 Washers.
 D - After 2/2/16 Crossbrace and Seat Upholstery Holes were revised to a larger size. One hole was added per side and attaching hardware Screw changed from (#10 x 7/8" Screw w/ Washer) to (#12 x 7/8" Screw).
 D1 - Wheelchairs manufactured Before 2/3/16 will require new Crossbraces, Seat Upholstery and (Hardware After 2/2/16) to be ordered.
 E - Used Before 2/3/16. 2" Extension Tube Kit with a #10 x 7/8" Screw hole is No Longer Available.
 F - Used After 2/2/16. Hardware not sold separately.