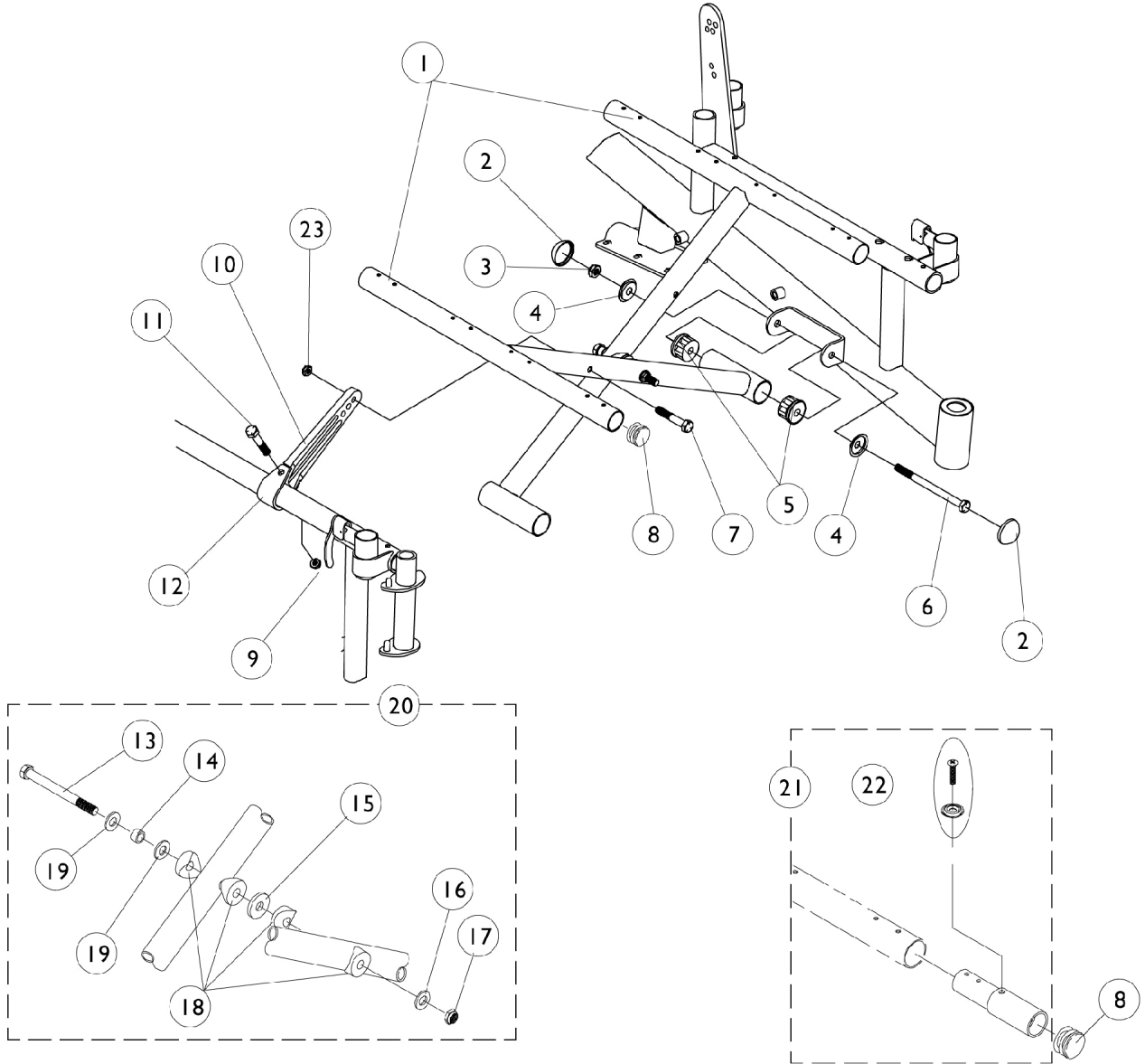


Crossbraces and Seat Extensions



Crossbraces and Seat Extensions

Item Number	Note	Part Number	Description	Quantity Per	
				Package	Assembly
1		See Chart	Item #1 - Crossbraces	1	2
2		1028835-NLA	NLA - Cap, Hub, Black	1	4
3		60264X001	Locknut (5/16-24)	1	1
4		1028491-NLA	NLA - Washer, Caplugs (11/32" I.D. x 1" O.D.)	1	4
5		1056708-NLA	NLA - Plug, Pivot Tube	1	4
6		1038179-NLA	NLA - Screw, Hex Head (5/16-24 x 4-1/4")	1	2
7		1024793-NLA	NLA - Screw, Hex Head (1/4-20 x 1-3/4")	1	2
8		1029501	Plug Button, Black (1")	1	4
9		1025195	Locknut (1/4-20)	1	1
10		1057381-NLA	NLA - Link, Pivot, Hemi, Black (14 - 15" W)	1	2
10		1057382-NLA	NLA - Link, Pivot, Hemi, Black (16 - 18" W)	1	2
10		1057383-NLA	NLA - Link, Pivot, Hemi, Black (19 - 20" W)	1	2
10		1057384-NLA	NLA - Link, Pivot, Adult, Black (14 - 15" W)	1	2
10		1057385-NLA	NLA - Link, Pivot, Adult, Black (16 - 18" W)	1	2
10		1057386-NLA	NLA - Link, Pivot, Adult, Black (19 - 20" W)	1	2
11		1030949	Screw, Hex Head (1/4-20 x 1-1/2")	1	2
12		1057828-NLA	NLA - Strap, Pivot Link	1	2
13		1098625	Screw, Hex Head (5/16-24 x 3-1/2")	1	1
14		1037913-NLA	NLA - Bushing (5/16 x 7/16 x 9/32")	1	1
15		1016301	Washer, Nylon (5/16 x 7/8 x 1/8")	1	1
16		1025704	Washer, Flat (5/16 x 5/8 x 1/16")	1	1
17		1025730	Locknut (5/16-24)	1	1
18		1016263	Spacer, Coved (3/4 x 1 x 1/2")	1	4
19		16308X000	Washer, Flat (5/16 x 11/16 x 1/16")	1	2
20		1057832-NLA	NLA - Hardware, Crossbrace	1	1
21		See Chart	Item #21 Seat Extension Kit (Pair)	2	1
22		1076284	Screw w/ Washer (#10 x 7/8")	1	2
22		40163X003-NLA	NLA - Screw, Phillips Pan Head (#10 X 5/8")	1	2
23		1025736	Locknut (1/4-20)	1	1
	A,B	1057830-NLA	NLA - Hardware, Crossbrace Pivot Tube	1	1

NOTE: A - Includes Items 2-6
B - Not Shown

Crossbraces and Seat Extensions

Item #1 - Crossbraces

Crossbrace Type	14" Wide	16" Wide	18" Wide	20" Wide
Hemi	1064405-NLA See Note(s) A	1071545-NLA See Note(s) A	1071546-NLA See Note(s) A	1071547-NLA See Note(s) A
Adult	1064409-NLA See Note(s) A, B	1064410-NLA See Note(s) B, A	1064411-NLA See Note(s) B, A	1064412-NLA See Note(s) B, A

NOTE: A - Decals are not included with Crossbraces. See page titled "Packaging, Literature and Decals."
 B - These Crossbraces are No Longer Available on Storm RII Series wheelchair.

NOTE: When replacing crossbraces for chairs built before 6/18/99 using seat extensions, a new seat extension kit must be ordered.

Item #21 Seat Extension Kit (Pair)

Seat Extension Type (Pair) Includes Hardware	Part Number
1"	1058616-NLA
2"	1058617-NLA See Note(s) A

NOTE: A - No Longer Available for the Storm Ranger II Series wheelchair