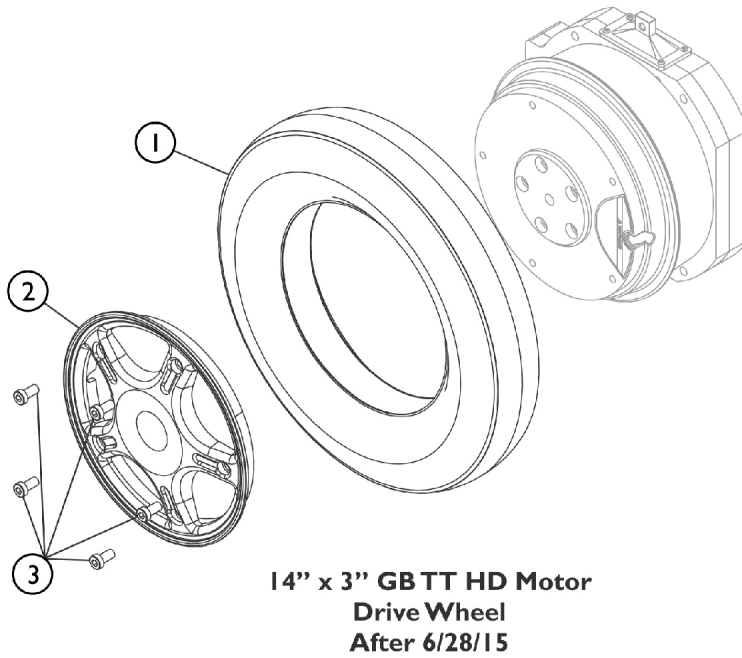
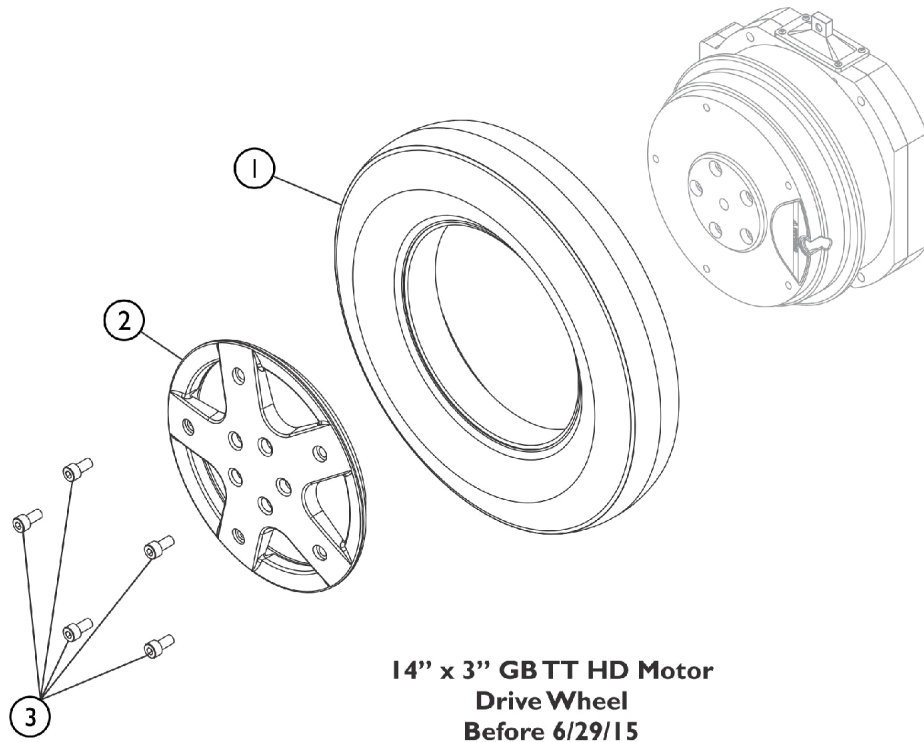


# Drive Wheels and Mounting Hardware (14" x 3")

## TDX SR with GB TT HD Motors



SHEP\_091A

## Drive Wheels and Mounting Hardware (14" x 3") TDX SR with GB TT HD Motors

Item Number	Note	Part Number	Description	Quantity Per	
				Package	Assembly
1	A,B,B1, D	1141342	Tire w/ Foam Fill Insert, Grey (14" x 3")	1	1
1	A,B,B1, E	1118274	Kit, Tire w/ Foam Fill Insert and Instruction Sheet, Grey (14" x 3")	1	1
2	B,B1,D	1152664	Rim 8" (For 14" x 3" Tire)	1	1
2	B,B1,E	1116701	Kit, Rim 8" w/ Instruction Sheet (For 14 x 3" Wheel)	1	1
3	B,B1	1113320	Screw, Socket Head (M8 x 1.25 x 16mm)	1	5
	C	1153683	Screw, Socket Head (M8 x 1.25 x 25MM)	1	3

NOTE: A - Tire with Flat Free is the only tire offered. Pneumatic Tires are not offered due to inner tube stem interference  
 B - When ordering a new flat free tire, rim or 16MM wheel mounting screws item #3, it is recommended to order 3 ea. of part #1153683 25MM screws as well.  
 B1 - The 25MM screws are inserted a 1/4" in every other mounting hole on the motor to compress the flat free and make it easier to install the 5 shorter 16MM screws.  
 C - Not Shown  
 D - Used Before 6/29/15.  
 E - Used After 6/28/15.