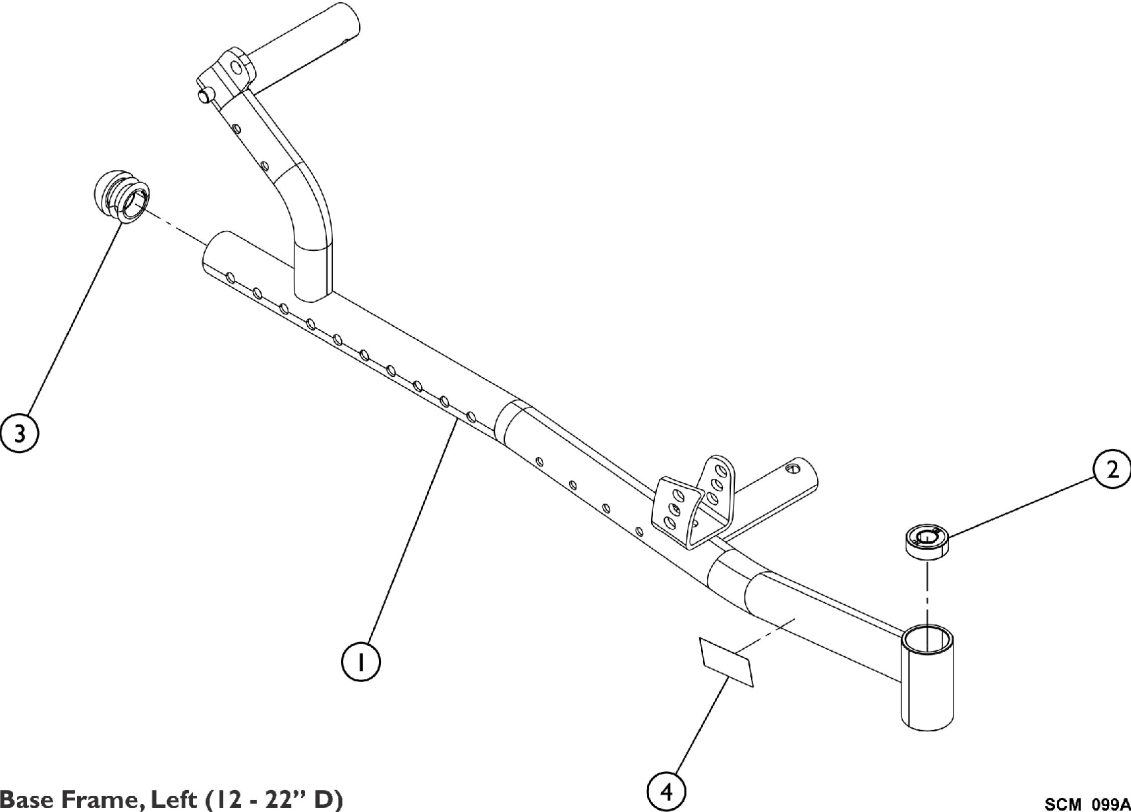
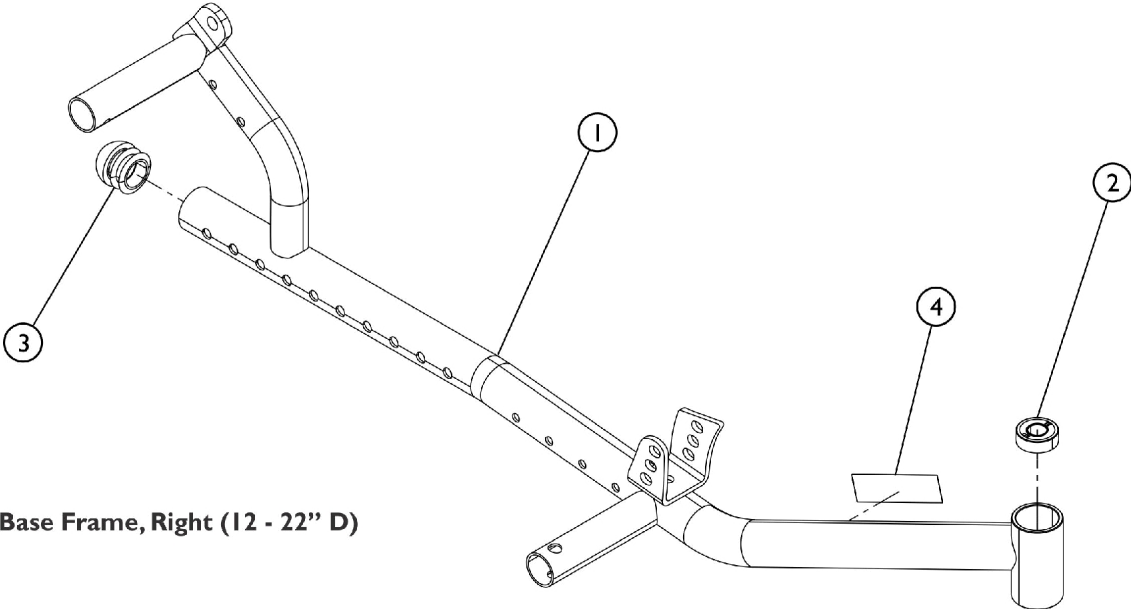


Base Frame (12 - 22" D)



Base Frame (12 - 22" D)

Item Number	Note	Part Number	Description	Quantity Per	
				Package	Assembly
1	A,B	See Chart	#1 Base Frames (12 - 22" D)	1	1
2		40117X021	Bearing (1/2" I.D. x 1-1/8" O.D.)	1	1
3		1071249	Plug Button, Dome, Black (1-1/4")	1	1
4		1163178	Decal, Model, Solara 3G	1	1
4		1163173	Decal, Model, Spree 3G	1	1

NOTE: A - Kit includes items 2, 3, and 4.
 B - TRRO and TRBKTS Transport Ready chairs that require Base Frame or Seat Frame components listed must be returned to Invacare for service.

#1 Base Frames (12 - 22" D)

Kit includes Items 2, 3, and 4. Specify Frame Finish when ordering.

Seat Depth Range	Solara 3G Right	Solara 3G Left	Spree 3G Right	Spree 3G Left
12" - 16"	8881192462	8881192463	8881192468	8881192469
15" - 19"	8881192460	8881192461	8881192466	8881192467
18" - 22"	8881192458	8881192459	N/A	N/A