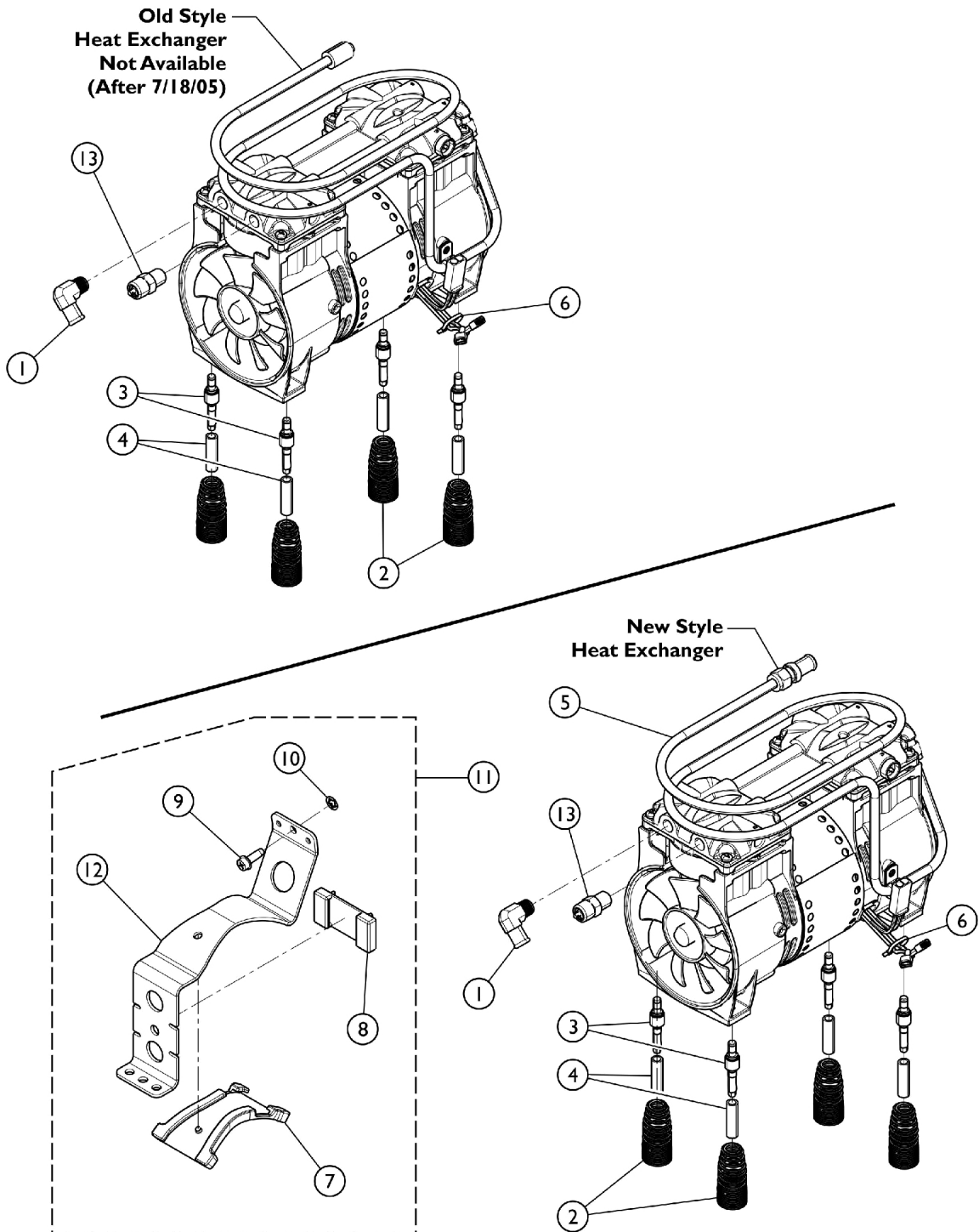


Compressor

IRC5LXAW and IRC5LXO2AW



Compressor

IRC5LXAW and IRC5LXO2AW

Item Number	Note	Part Number	Description	Quantity Per	
				Package	Assembly
1		1108819	Fitting, Elbow (1/2" Beaded Hose x 1/4" NPT)	1	1
2		1105504-NLA	NLA - Spring, Compressor Mount	1	4
2		1150581	Spring, Compressor Mount	1	4
3		1106446-NLA	NLA - Pin, Spring Retainer	1	4
3		1150580	Pin, Spring Retainer	1	4
4		1107411	Glide, Pin	1	4
5	A	1119590-NLA	NLA - Tech Only - Heat Exchanger Assembly	1	1
6		1070050	Tie Wrap (3-29/32" L)	1	1
11	B	1186230	Kit, Compressor Restraint Bracket w/ Hardware	1	1
7			Bumper, Restraint Bracket, Compressor	1	1
8			NLA - Bumper, Bracket	1	1
9			NLA - Screw, Phillips Hex Washer Head w/ Patch (1/4-20 x 3/4")	1	1
10			Retainer, Push (1/4")	1	1
12			Bracket, Restraint, Compressor	1	1
13		1085697-NLA	NLA - Relief Valve w/ Patch Lock, 35 PSIG	1	1
		1121273-NLA	NLA - Fitting, Elbow (5/16 Tube x 1/4" NPT)	1	1
	C,D	1110825-NLA	NLA - Tech Only - Compressor with Mounting Hardware	1	1
	E,F	1154510	Kit, Compressor Rebuild w/ Trigon Seals & Instruction Sheet - IRC5LX/IRC5LXO2 (Thomas)	1	1
			Compressor Rebuild Kit w/ Trigon Seals - IRC5LX/IRC5LXO2 (Thomas)	1	1
			Instruction Sheet, Thomas Rebuild 2660-2650	1	1
	G	1157138	Kit, Compressor Complete Assembly - Thomas	1	1
			Compressor with Mounting Hardware - Thomas	1	1
			NLA - Tech Only - Capacitor, 15 MFD	1	1
			Tie Wrap (8" L)	2	1
		1186230	Kit, Compressor Restraint Bracket w/ Hardware	1	1
			Bracket, Restraint, Compressor	1	1
			NLA - Bumper, Bracket	1	1
			Bumper, Restraint Bracket, Compressor	1	1
			NLA - Screw, Phillips Hex Washer Head w/ Patch (1/4-20 x 3/4")	1	1
			Retainer, Push (1/4")	1	1

NOTE: A - When replacing the Heat Exchanger you must also replace the PVC elbow, see Category "Sound Box Assembly", item 12 due to style change.
 B - Kit includes items 7, 8, 9, 10, and item 12.
 C - Kit includes Compressor and items 1 - 5.
 D - To be used with IRC5LXAW and IRC5LXO2AW.
 E - When replacing or servicing a Compressor, the Capacitor (1068698) and two Tie Wraps (2001682) must also be replaced
 F - Not Shown, Kit includes Retainer Plates and Trigon Seals to enable rebuilding of both Trigon and pre-Trigon configurations.
 G - Not Shown, Kit includes Compressor, Capacitor, Tie Wraps, and 1186230.