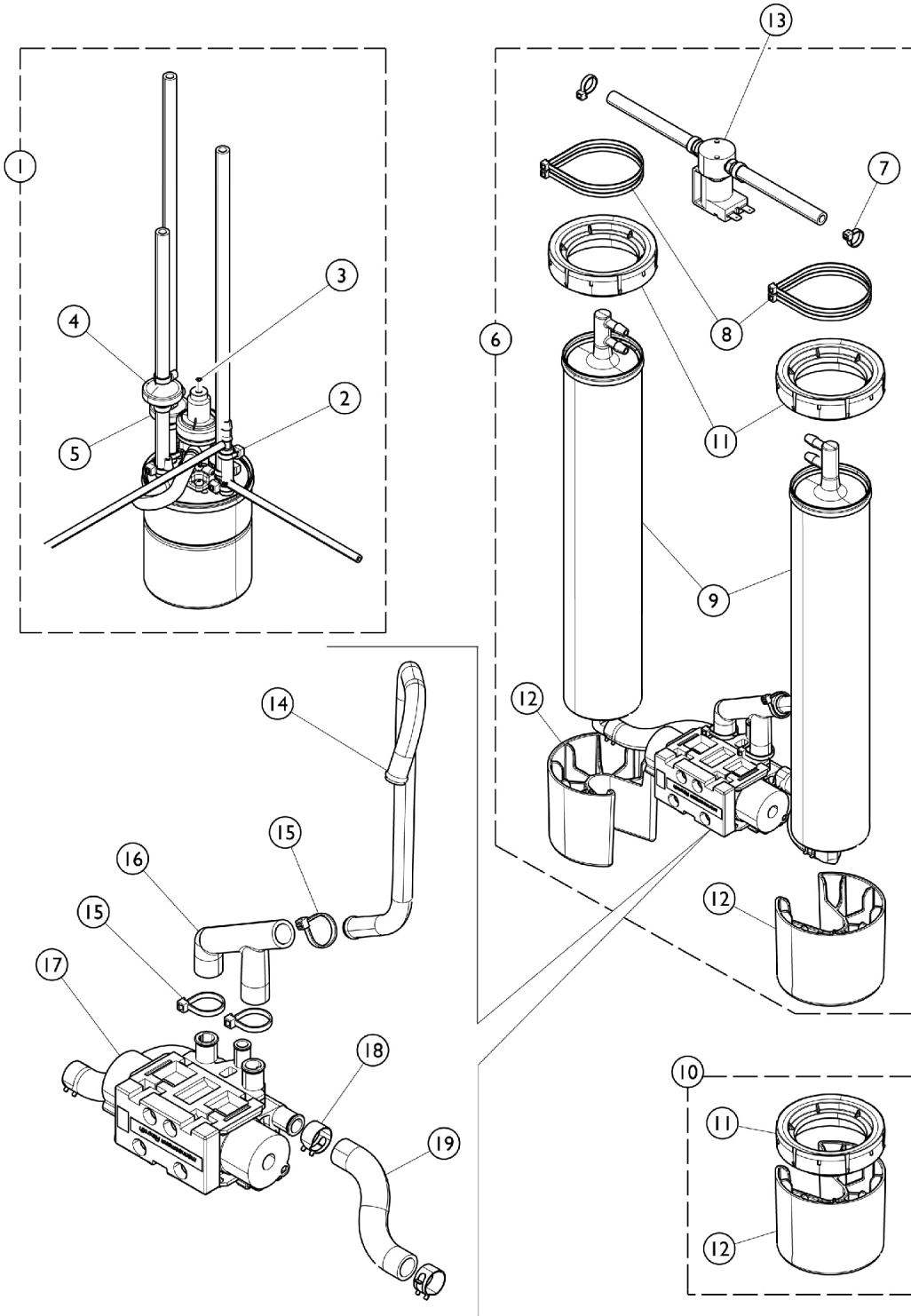


Sieve Bed Assembly and Product Tank

Perfecto2V



Sieve Bed Assembly and Product Tank Perfecto2V

Item Number	Note	Part Number	Description	Quantity Per	
				Package	Assembly
1		1182226	Product Tank Assembly w/ Senso2 Regulator	1	1
2		2001682	Tie Wrap (8" L)	1	3
3	A	1182500	Kit, Regulator/Adaptor w/ Bled Adaptor, Foam Mount and Check Valve Assy.	1	1
			Kit, Regulator and Adaptor w/ Bled Regulator Mount, Foam Product Tank	1	1
			Check Valve Assembly (14-1/2")	1	1
			Tie Wrap (17-1/2" L)	1	1
			Tie Wrap (8" L)	1	2
			Instruction Sheet, Contents and Application	1	1
4	B	1143544	Check Valve Assembly (9")	1	1
5	C	1182170	Check Valve Assembly (14-1/2")	1	1
6	D,I	1165099	Kit, Sieve Beds (Pair)	1	1
7			Tie Wrap (8" L)	1	4
8			Tie Wrap (17-1/2" L)	1	4
9			NLA - Tech Only - Sieve Bed Assembly	1	2
7		2001682	Tie Wrap (8" L)	1	4
8		1018239	Tie Wrap (17-1/2" L)	1	4
10	E	1165100	Kit, Adapters, Sieve Bed	1	1
11			NLA - Tech Only - Adapter, Sieve Bed Top	1	1
12			Adapter, Sieve Bed Bottom	1	1
13		1164785	PE Valve Assembly	1	1
14		1143447	Tube, Exhaust	1	1
15		2001682	Tie Wrap (8" L)	1	3
16		1143446	Tube, F	1	1
17	F	1143436	Manifold, Air	1	1
	G	1101141	Kit, 4-Way Valve w/ Screws	1	1
		2003052	Valve, Operator Pilot	1	1
		1085112	O-Ring, Pilot Valve (35/64" I.D.)	1	1
18	H	1160798-NLA	NLA - Clamp, Hose Spring (1/2")	1	4
18		P0876X026	Clamp, Hose	1	4
19		1188708	Tube, Polyurethane, Preformed (1/2")	1	2

NOTE: A - Kit includes the Regulator and Adaptor Assembly, Product Tank Foam Mount, Check Valve Assembly, Instruction Sheet, and Tie Wraps.
 B - Includes (1) Valve, (2) Tie Wraps, (1) 6" Tubing and (1) 3" Tubing.
 C - Includes (1) Valve, (2) Tie Wraps, (1) 10" Tubing and (1) 4-1/2" Tubing.
 D - Includes items 7-9
 E - Includes items 11 and 12. Kit accommodates (1) Sieve Bed
 F - Order with 1101141, 2003052, and 1085112.
 G - Includes the 4-Way Valve with Screws only
 H - No Longer Available. Use part #P0876X026 as a replacement.
 I - May contain reactivated sieve.