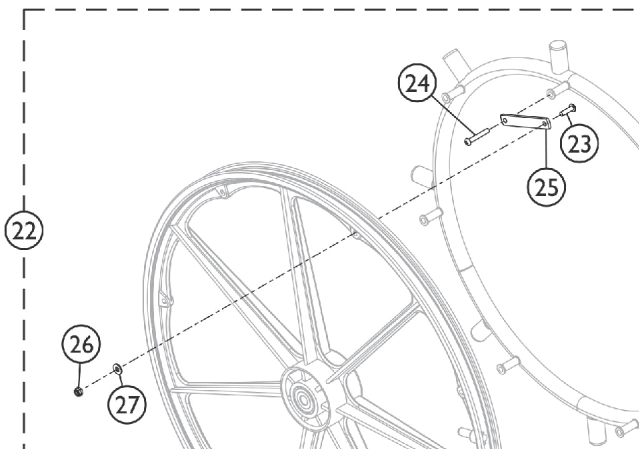
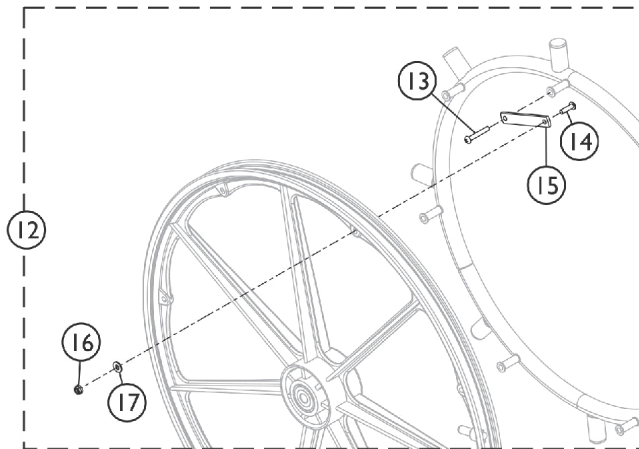
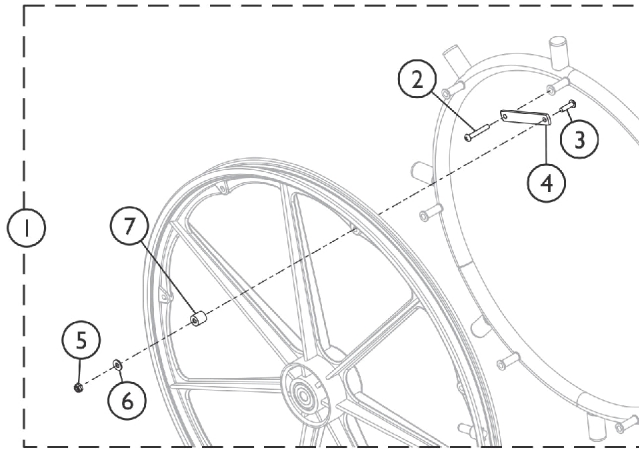


Projection Handrims - Attaching Hardware

NOTE: Due to the possibility of various manufacturing dates for Tracer IV Wheelchairs built with a serial # starting with "03H" or "03I", replacement parts will need to be ordered thru an Invacare Parts Specialist at 1-800-333-6900.



SSM_032A

Projection Handrims - Attaching Hardware

NOTE: Due to the possibility of various manufacturing dates for Tracer IV Wheelchairs built with a serial # starting with "03H" or "03I", replacement parts will need to be ordered thru an Invacare Parts Specialist at 1-800-333-6900.

Item Number	Note	Part Number	Description	Quantity Per	
				Package	Assembly
1	A	1062763	Hardware, Projection Handrim Attaching - 6 PT	1	1
2		11008X011	Screw, Phillips Round Head (#10-32 x 1-3/8")	1	6
3		16718X000-NLA	NLA - Screw, Phillips Pan Head (#10-32 x 7/8")	1	6
4		47559X008	Link, Attaching, Chrome	1	6
5		60279X003	Locknut (#10-32)	1	6
6		1013218	Washer (#10 Flat)	1	6
7		1017870-NLA	NLA - Spacer (3/16 x 1/2 x 3/16")	1	6
12	B	1062765	Hardware, Oblique Projection Handrim Attaching - 7 PT	1	1
13		11008X003-NLA	NLA - Screw, Phillip Pan Head (#10-32 x 1-1/4")	1	7
14		40163X008	Screw, Phillips Pan Head (#10-32 x 11/16")	1	7
15		47559X008	Link, Attaching, Chrome	1	7
16		60279X003	Locknut (#10-32)	1	7
17		1013218	Washer (#10 Flat)	1	7
22	C	1062764	Hardware, Vertical Projection Handrim Attaching - 7 PT	1	1
23		40163X008	Screw, Phillips Pan Head (#10-32 x 11/16")	1	7
24		1007375	Screw, Phillips Pan Head w/ Patch (#10-32 x 1-3/4")	1	7
25		47559X008	Link, Attaching, Chrome	1	7
26		60279X003	Locknut (#10-32)	1	7
27		1013218	Washer (#10 Flat)	1	7

NOTE: A - Includes items 2-7.
 B - Includes items 13-17.
 C - Includes items 23-27.