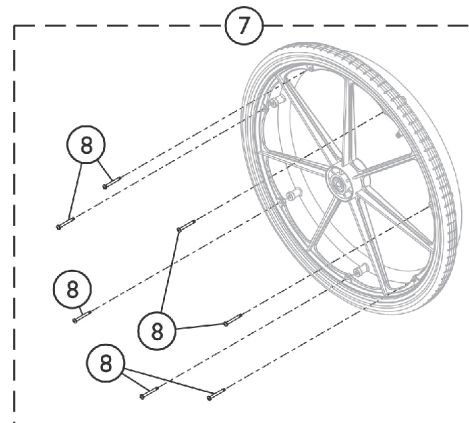
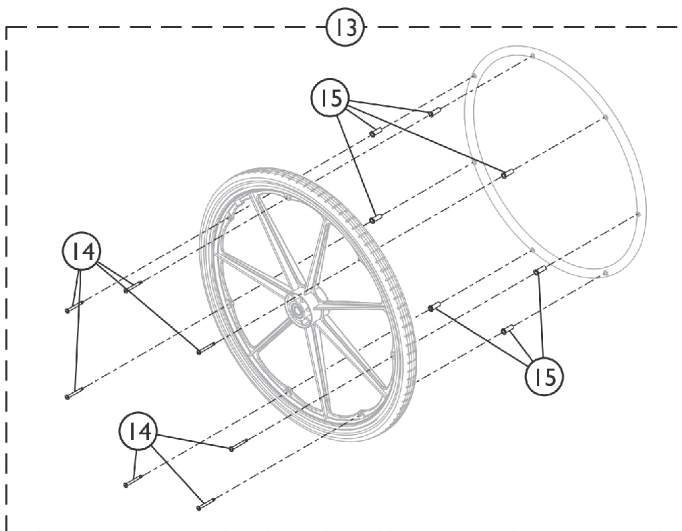
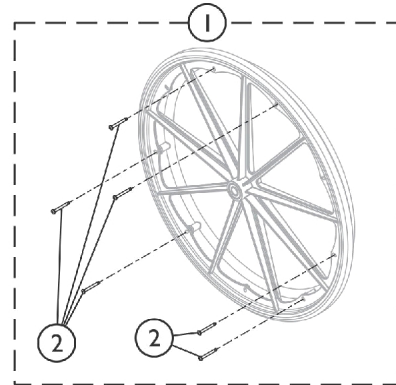
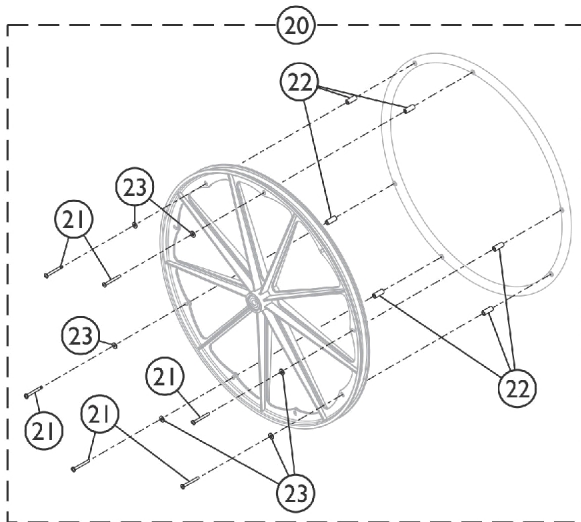
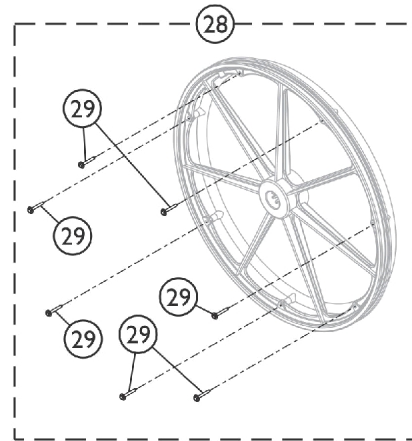
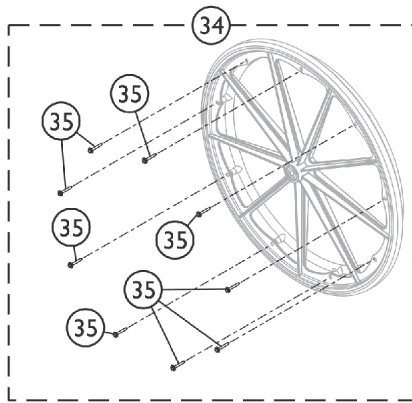


# Non-Projection Handrim Attaching Hardware

**NOTE:** Due to the possibility of various manufacturing dates for Tracer IV Wheelchairs built with a serial # starting with "03H" or "03I", replacement parts will need to be ordered thru an Invacare Parts Specialist at 1-800-333-6900.



## Non-Projection Handrim Attaching Hardware

**NOTE:** Due to the possibility of various manufacturing dates for Tracer IV Wheelchairs built with a serial # starting with "03H" or "03I", replacement parts will need to be ordered thru an Invacare Parts Specialist at 1-800-333-6900.

Item Number	Note	Part Number	Description	Quantity Per	
				Package	Assembly
1	A	1025150	Hardware, Handrim Attaching - 6 PT	1	1
2		1007375	Screw, Phillips Pan Head w/ Patch (#10-32 x 1-3/4")	1	6
7	B	1025158	Hardware, Handrim Attaching - 7 PT.	1	1
8		1007375	Screw, Phillips Pan Head w/ Patch (#10-32 x 1-3/4")	1	7
13	C	1025153	Hardware, Handrim Attaching - 7 PT	1	1
14		1007375	Screw, Phillips Pan Head w/ Patch (#10-32 x 1-3/4")	1	7
15		1016438	Spacer (1/4 x 11/32 x 15/16")	1	7
20	D	1042074	Hardware, Handrim Attaching - 6 PT.	1	1
21		1007375	Screw, Phillips Pan Head w/ Patch (#10-32 x 1-3/4")	1	6
22		1012649	Spacer (3/16 x 3/8 x 15/16")	1	6
23		1013218	Washer (#10 Flat)	1	6
28	E	1065790	Hardware, Handrim Attaching - 7 PT.	1	1
29		1098755	Screw, Hex Head SEMS (#8-10 x 1-1/2")	1	7
34	F	1065791	Hardware, Handrim Attaching - 9 PT.	1	1
35		1098755	Screw, Hex Head SEMS (#8-10 x 1-1/2")	1	9

NOTE: A - Includes item 2.  
 B - Includes item 8.  
 C - Includes items 14 and 15.  
 D - Includes items 21-23.  
 E - Includes item 29.  
 F - Includes item 35.