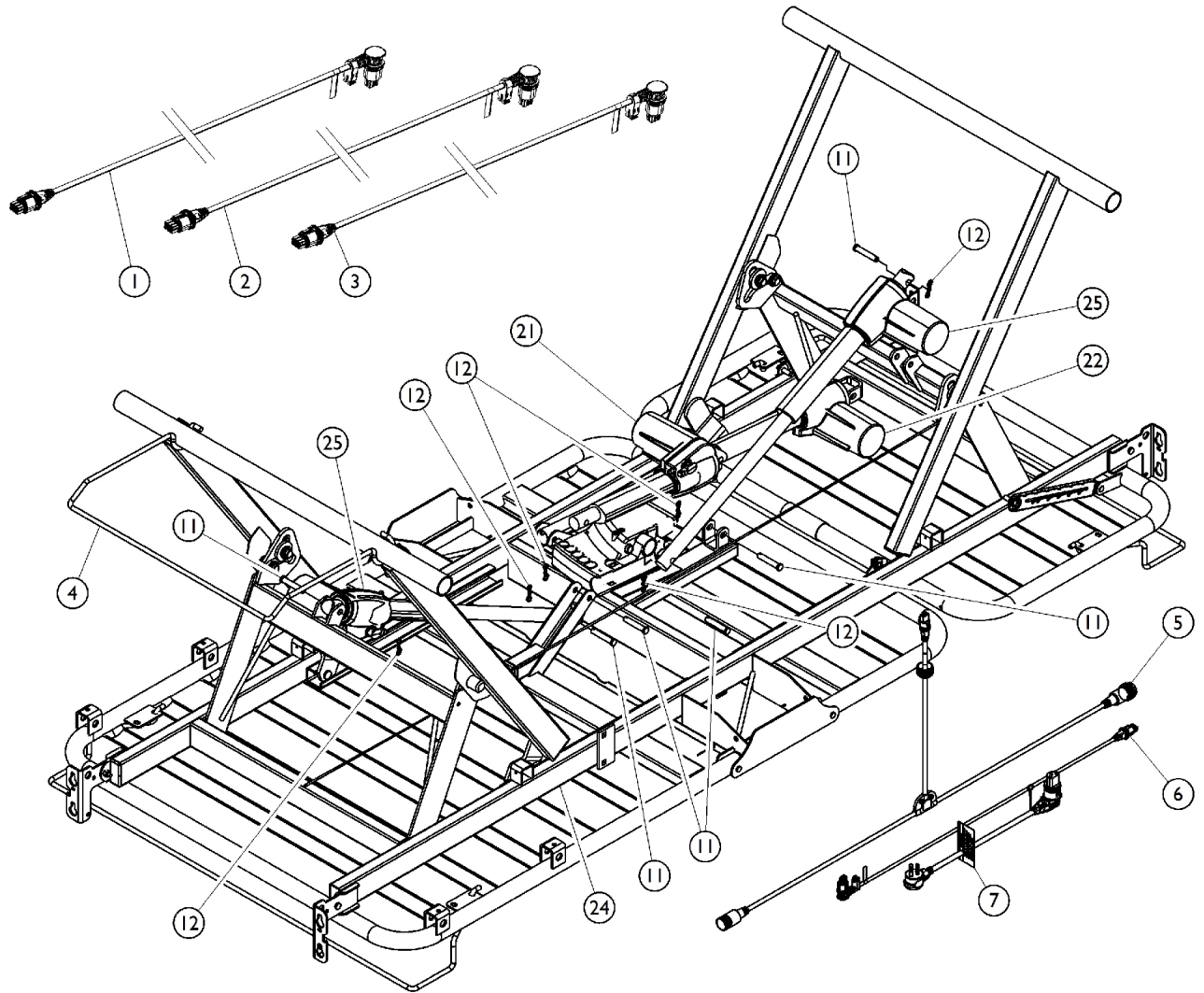


Wire Assembly



Wire Assembly

| Item Number | Note | Part Number | Description | Quantity Per | |
|-------------|------|--------------|---|--------------|----------|
| | | | | Package | Assembly |
| 1 | B | 1116640 | Cable, Hi-Lo Motor w/ Red O-Ring (Head End) | 1 | 1 |
| 1 | C | 1158431 | Cable, HiLo Motor w/ Red O-Ring (Head End) | 1 | 1 |
| 2 | B | 1116641 | Cable, Head Actuator w/ Blue O-Ring | 1 | 1 |
| 2 | C | 1158424 | Cable, Motor, Foot (Blue) | 1 | 1 |
| 3 | B | 1116642 | Cable, Foot Actuator w/ Yellow O-Ring | 1 | 1 |
| 3 | C | 1158425 | Cable, Motor, Head (Yellow) | 1 | 1 |
| 4 | | 1152550 | Wall Bumper Standard | 1 | 1 |
| 5 | B,C | 1158433 | Cable, T, w/o Footboard Staff Control (Standard) | 1 | 1 |
| 6 | B | 1147601 | Cable, Hi/Lo Motor w/ Black O-Ring (Foot End) | 1 | 1 |
| 6 | C | 1158431 | Cable, HiLo Motor w/ Red O-Ring (Head End) | 1 | 1 |
| 7 | B,C | 1165079 | Power Cord | 1 | 1 |
| 11 | | 1186864 | Clevis Pin (3/8 x 2" L) | 1 | 6 |
| 12 | | PINBOW38-NLA | NLA - Cotter Pin, Bowtie (3/8") | 1 | 6 |
| 21 | B,C | 1159613 | Actuator, Head (LA27-U041-01) | 1 | 1 |
| 22 | B,C | 1147532 | Actuator, Foot (LA27-U042-01) | 1 | 1 |
| 24 | | 1149706 | NLA - Frame, Bed | 1 | 1 |
| 25 | B | 1165048 | Kit, Actuator, HiLo w/ Tie Wrap (CS9FX600 Analog) | 1 | 1 |
| 25 | C | 1158427 | Actuator, HiLo (LA27-U086-00) | 1 | 1 |
| | D | 1186883-NLA | NLA - Wrap, Tie (8") | 1 | 12 |

NOTE: B - Used on beds manufactured before 8/17/2010.

C - Used on beds manufactured after 8/17/2010.

D - Not shown in illustration.