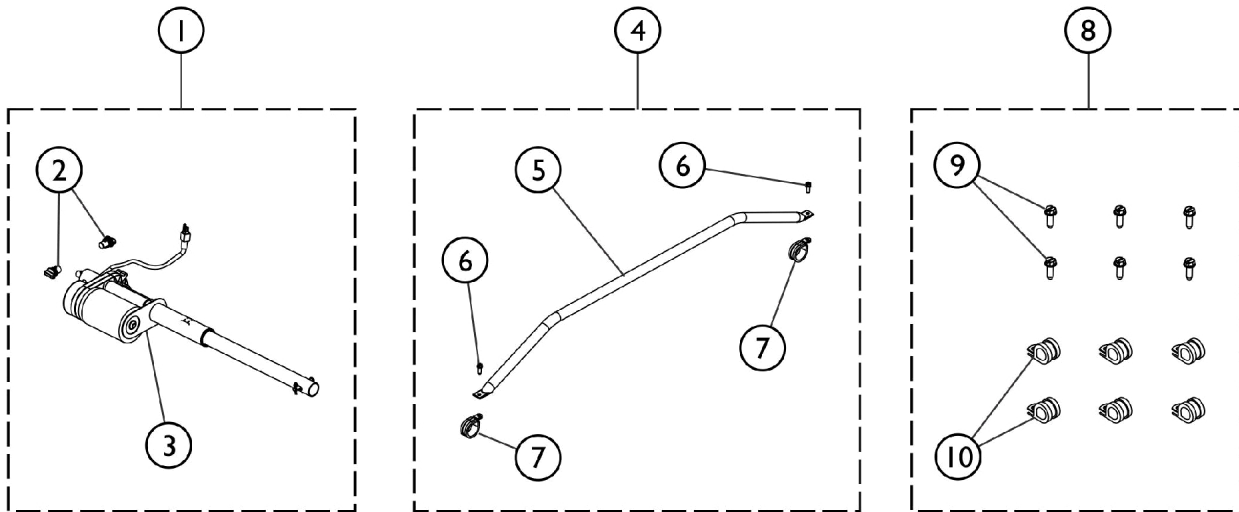
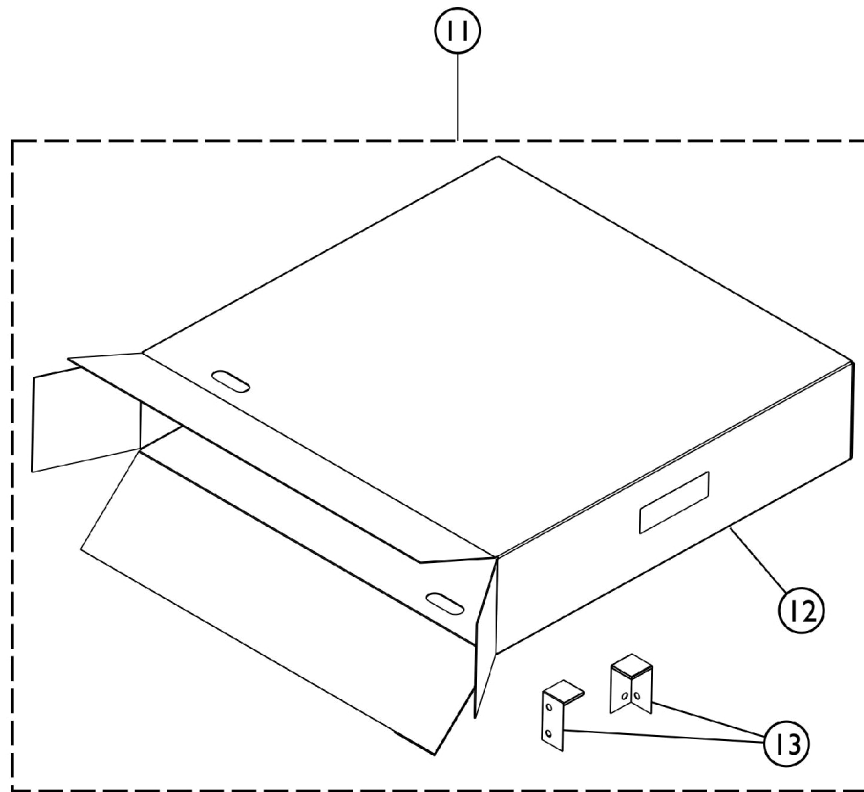


# Head Spring - Full Electric (BAR5000IVC)

**NOTE:** Bed Ends with the "Woodgrain" finish are from the BAR600 group Manufactured "before 5/05."  
Bed Ends with the "Composite" finish are from the BAR600IVC group manufactured "after 2/05." Please  
check before ordering service parts.



**In This Assembly, Item #7 Must Be  
Positioned Under Item #5  
To Insure Proper Fit.**



SBP\_056A

## Head Spring - Full Electric (BAR5000IVC)

**NOTE: Bed Ends with the "Woodgrain" finish are from the BAR600 group Manufactured "before 5/05."  
Bed Ends with the "Composite" finish are from the BAR600IVC group manufactured "after 2/05." Please  
check before ordering service parts.**

Item Number	Note	Part Number	Description	Quantity Per	
				Package	Assembly
1	A,E	1140216	Kit, Head Motor Assembly	1	1
2			Mount, Motor	1	2
3			Motor, Head with Pull Tube and Hardware	1	1
3		1125307	Motor, Head with Pull Tube and Hardware	1	1
4	B	1132528	Kit, Motor Guard Replacement - Head End	1	1
5			Guard, Motor	1	1
6			Screw, Slotted Hex Head Tap (1/4-20 x 3/4")	1	2
7			Clamp, Cable, Steel (9/16")	1	2
8	C	1132529	Kit, Cable Clamp w/ Hardware, Both Head and Foot Ends	1	1
9			Screw, Slotted Hex Head Tap (1/4-20 x 3/4")	1	6
10			Clamp, Cable, Steel (9/16")	1	6
11	D	1132539	Kit, Packaging - Head End	1	1
12			Carton, Headspring	1	1
13			Pad, Corner	1	2
			Label, Blank Carton	1	1
	F	1125306	Connector, Crossover	1	1
	F	026874	Cord, Power	1	1

NOTE: A - Includes: Items 2 and 3.  
B - Includes: Items 5, 6, and 7.  
C - Includes: Items 9 and 10.  
D - Includes: Items 12, 13, and Carton Label.  
E - This Motor Assembly has the longer cord.  
F - Not Shown.