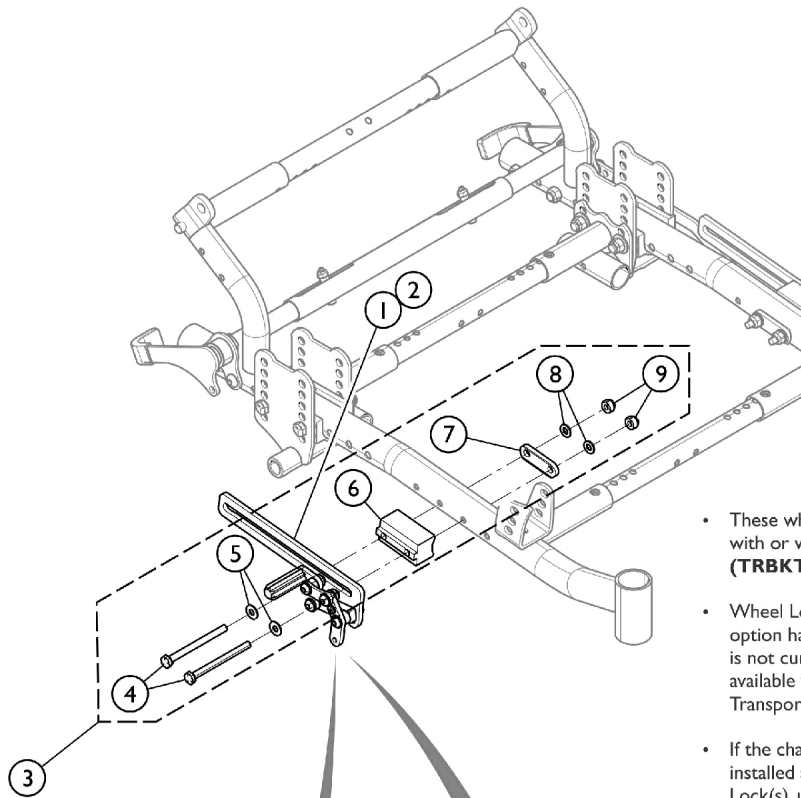
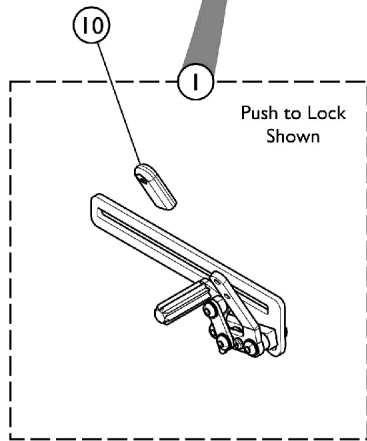


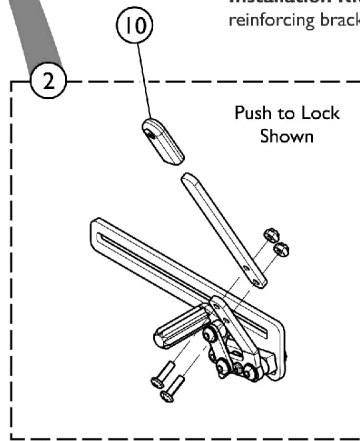
Wheel Locks & Attaching Hardware



- These wheel locks can be ordered for chairs built with or without **Transport Brackets (TRBKTS)**.
- Wheel Locks on chairs built with the **TRBKTS** option have a reinforcing bracket (**I 166074**) that is not currently sold separately and is only available when ordering the kits to add the Transport Brackets in the field.
- If the chair already has the **TRBKTS** option installed and you need to replace the Wheel Lock(s), use the existing reinforcing bracket (both sides) and assemble them to the new replacement Wheel Lock(s).
- See Category “**Transport Brackets and Hardware - Front/Rear (First Time Field Installation Kits)**” for more information on the reinforcing bracket (**I 166074**).



Wheel Lock w/o Extension



Wheel Lock w/ Extension

Wheel Locks & Attaching Hardware

Item Number	Note	Part Number	Description	Quantity Per		
				Package	Assembly	
1		See Chart	#1 Wheel Lock Assembly without Extension Handle	1	1	
2		See Chart	#2 Wheel Lock Assembly with Bolt-On Extension Handle (EXTLOCK)	1	1	
3	A	1154012	Kit, Wheel Lock Mounting Hardware (Pair)	1	1	
4			Screw, Hex Head Cap (1/4-28 x 3")	1	4	
5			Washer (1/4 x 9/16 x 1/16")	1	4	
6			Extrusion, Wheel Lock Mounting, Black	1	2	
7			Spacer, Brake	1	2	
8			Washer, Plain (1/4 x 1/2 x 9/16")	1	4	
9			Locknut (1/4-28)	1	4	
10			1127688	Package, Plastic Tip, Black	10	1

NOTE: A - Includes items 4 - 9. Hardware quantity accommodates the right and left side

These Wheel Locks can be ordered for chairs built with or without Transport Brackets (TRBKTS). Wheel Locks on chairs built with TRBKTS option have an reinforcing bracket (1166074) that is not currently sold separately and is only available when ordering the kits to add Transport Brackets in the field. If the chair already has the TRBKTS option installed and you need to replace the Wheel Locks, use the existing reinforcing bracket (both sides) and assemble them to the new replacement Wheel Locks. See Category - Transport Brackets and Hardware - Front/Rear (First Time Field Installation Kits) - for more information on the reinforcing bracket (1166074).

Wheel Locks & Attaching Hardware

#1 Wheel Lock Assembly without Extension Handle

Wheel Lock Type (Push/Pull)	Part Number
Push to Lock - Right	1154010
Push to Lock - Left	1154011
Pull to Lock - Right	1159535
Pull to Lock - Left	1159536

#2 Wheel Lock Assembly with Bolt-On Extension Handle (EXTLOCK)

Includes Wheel Lock, Extension, Screws, and Nuts.

Wheel Lock Type (Push Only)	Part Number
Push to Lock - Right	1159533
Push to Lock - Left	1159534