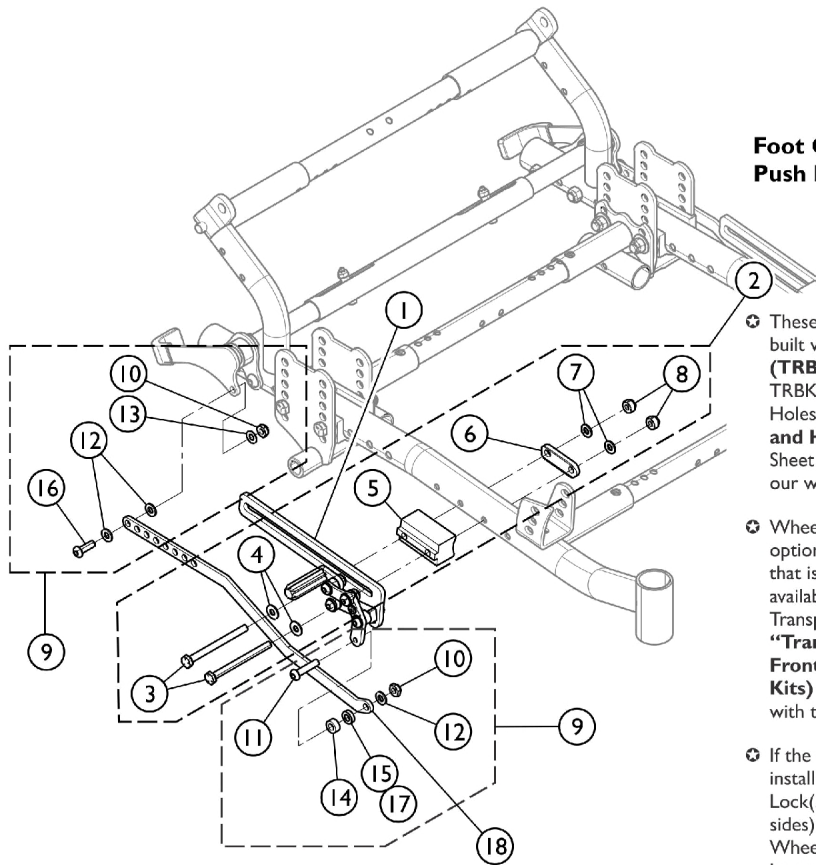


Wheel Locks & Attaching Hardware

Foot Operated

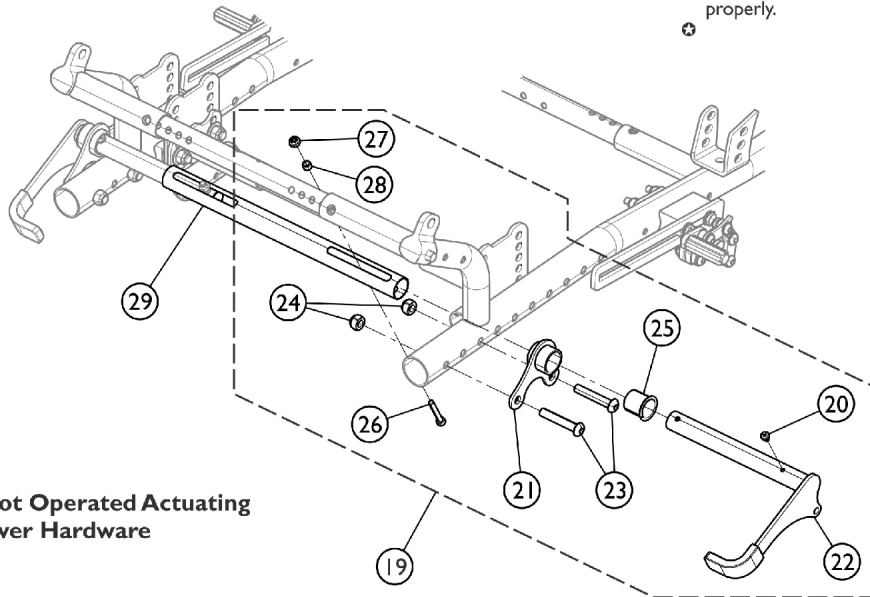


Foot Operated Wheel Lock And Push Link Hardware

⊛ These wheel lock kits can be ordered for Chairs built with or without **Transport Brackets (TRBKTS)**. When mounting to chairs with TRBKTS, mount the Wheel Lock in the Rear Holes - See Category "**Transport Brackets and Hardware**" for reference, a Instruction Sheet (**1164977**) is available to download from our website.

⊛ Wheel Locks on Chairs built with the **TRBKTS** option have a Reinforcing Bracket (**1166074**) that is not currently sold separately and is only available when ordering the kits to add the Transport Brackets in the field, see Category "**Transport Brackets and Hardware - Front/Rear (First Time Field Installation Kits)**" for more information on ordering the kits with the Reinforcing Bracket.

⊛ If the chair already has the **TRBKTS** option installed and you need to replace the Wheel Lock(s), use the existing reinforcing bracket (both sides) and assemble them to the new replacement Wheel Lock(s). Make sure to download the Instruction Sheet to mount the Wheel Lock properly.



Foot Operated Actuating Lever Hardware

Wheel Locks & Attaching Hardware Foot Operated

Item Number	Note	Part Number	Description	Quantity Per	
				Package	Assembly
1		1164108	Wheel Lock Assembly, Foot Operated - Right	1	1
1		1164109	Wheel Lock Assembly, Foot Operated - Left	1	1
2	A,D	1154012	Kit, Wheel Lock Mounting Hardware (Pair)	1	1
3			Screw, Hex Head Cap (1/4-28 x 3")	1	4
4			Washer (1/4 x 9/16 x 1/16")	1	4
5			Extrusion, Wheel Lock Mounting, Black	1	2
6			Spacer, Brake	1	2
7			Washer, Plain (1/4 x 1/2 x 9/16")	1	4
8			Locknut (1/4-28)	1	4
9	B,D,F	1164112	Kit, Connecting Push Link Hardware (Pair)	1	1
10			Locknut (1/4-28)	1	4
11			Screw, Socket Button Head (1/4-28 x 1-1/8")	1	2
12			Washer, Nylon (1/4 x 1/2 x 1/16")	1	6
13			Washer, Nylon (1/4 x 1/2 x 1/32")	1	2
14			NLA - Spacer	1	2
15			NLA - Spacer (1/4 x 1/2 x 5/32")	1	2
16			NLA - Screw, Socket, Button Head (1/4-28 x 3/4")	1	2
17			Washer, Nylon (1/4 x 1/2 x 1/8")	1	1
18		1163903	Link, Connecting Push, Black (20", 22", 24" Wheel)	1	2
18		1163902	Link, Connecting Push, Black (16" & 18" Wheel)	1	2
18		1163901	Link, Connecting Push, Black (12" Wheel)	1	2
19	C	1164110	Kit, Foot Operated Actuating Lever Hardware - Right	1	1
20			NLA - Screw, Phillips Pan Head (#8-32 x 1/4")	1	1
21			Plate, Pivot, Footlock, Black - Right	1	1
22			Lever, Actuating, Footlock, Black - Right	1	1
23			NLA - Screw, Socket Button Head (5/16-24 x 1-3/4")	1	2
24			Locknut (5/16-24)	1	2
25			Bushing, Pivot	1	1
26			NLA - Screw, Socket Head (#10-32 x 1-1/4")	1	1
27			Spacer, Nylon (3/16 x 5/16 x 5/16")	1	1
28			Locknut (10-32)	1	1
19	C	1164111	Kit, Foot Operated Actuating Lever Hardware - Left	1	1
20			NLA - Screw, Phillips Pan Head (#8-32 x 1/4")	1	1
21			Plate, Pivot, Footlock, Black - Left	1	1
22			Lever, Actuating, Footlock, Black - Left	1	1
23			NLA - Screw, Socket Button Head (5/16-24 x 1-3/4")	1	2
24			Locknut (5/16-24)	1	2
25			Bushing, Pivot	1	1
26			NLA - Screw, Socket Head (#10-32 x 1-1/4")	1	1
27			Spacer, Nylon (3/16 x 5/16 x 5/16")	1	1
28			Locknut (10-32)	1	1
29	E	See Chart	#15 Foot Tilt Crossbrace Tube	1	1

Wheel Locks & Attaching Hardware

Foot Operated

NOTE: A - Includes items 3 - 8.
 B - Includes items 10 - 17.
 C - Includes items 20 - 28.
 D - Hardware quantity accommodates the right and left side
 E - Fastens with Items 26, 27, and 28.
 F - Use Item 17 with chairs built with 20", 22", and 24" wheels

These Wheel Locks can be ordered for chairs built with or without Transport Brackets (TRBKTS). Wheel Locks on chairs built with TRBKTS option have an reinforcing bracket (1166074) that is not currently sold separately and is only available when ordering the kits to add Transport Brackets in the field. If the chair already has the TRBKTS option installed and you need to replace the Wheel Locks, use the existing reinforcing bracket (both sides) and assemble them to the new replacement Wheel Locks. See Category - Transport Brackets and Hardware - Front/Rear (First Time Field Installation Kits) - for more information on ordering the reinforcing bracket and downloading the Instruction Sheet to mount the Wheel Locks properly.

#15 Foot Tilt Crossbrace Tube

Seat Width Range	Part Number
12" - 16" Wide	1161769
14" - 18" Wide	1161770
16" - 20" Wide	1161771
18" - 22" Wide	1161772
20" - 24" Wide	1161773