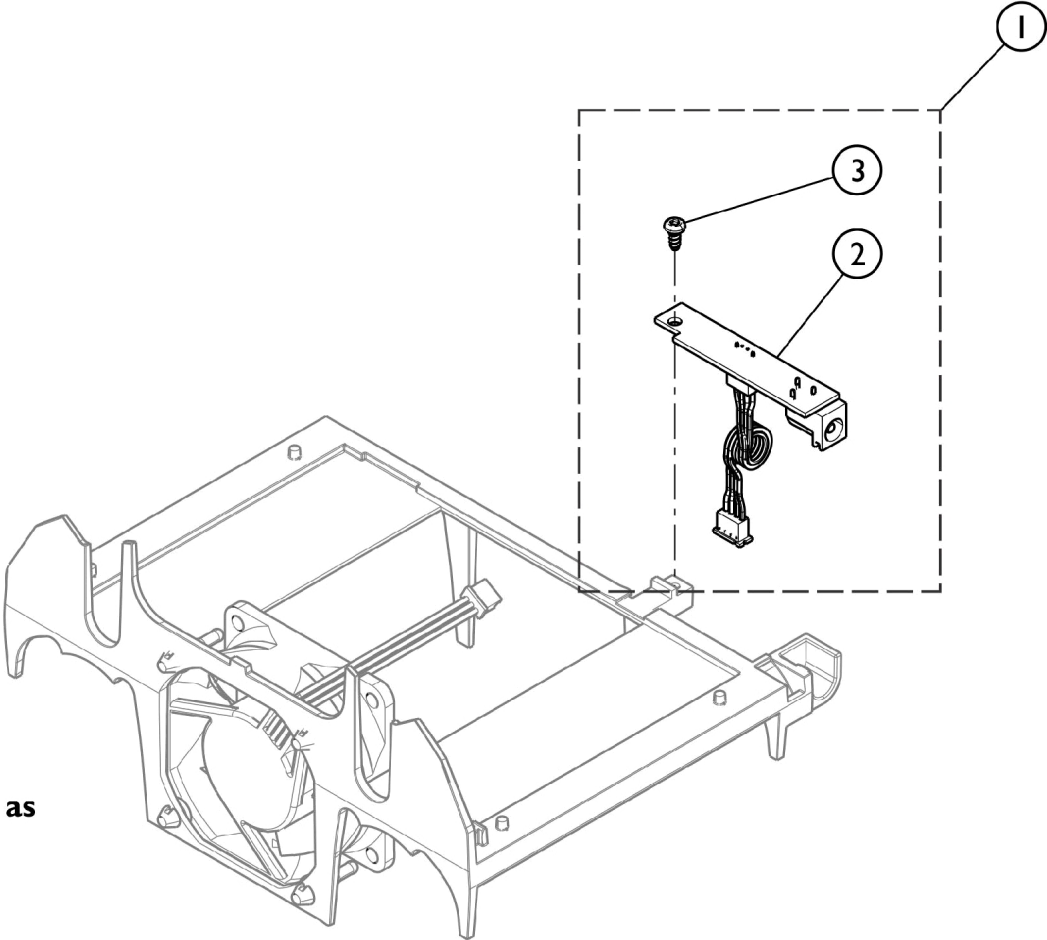


# XPO2 Power Inlet (SN 15CF009500 and later)

Kit Number 1185325 is used with XPO2 built prior to SN 15CF009500.



**Support Shown as Reference**

SRE\_007A

# XPO2 Power Inlet (SN 15CF009500 and later)

Kit Number 1185325 is used with XPO2 built prior to SN 15CF009500.

Item Number	Note	Part Number	Description	Quantity Per	
				Package	Assembly
1	A	1185321	Kit, Power Inlet, DC Jack, XPO2	1	1
2			Power Inlet, PCB, XPO2	1	1
3			Screw, Pan Head, Torx (4-20 x 1/4)	1	1
			Seal, Notice	1	1
1	A	1185325	Kit, Power Inlet, DC Jack, XPO2	1	1
2			Power Inlet, PCB, XPO2	1	1
3			Screw, Pan Head, Torx (4-20 x 1/4)	1	1
			Seal, Notice	1	1

NOTE: A - Kit includes items 2, 3, and Seal Notice.