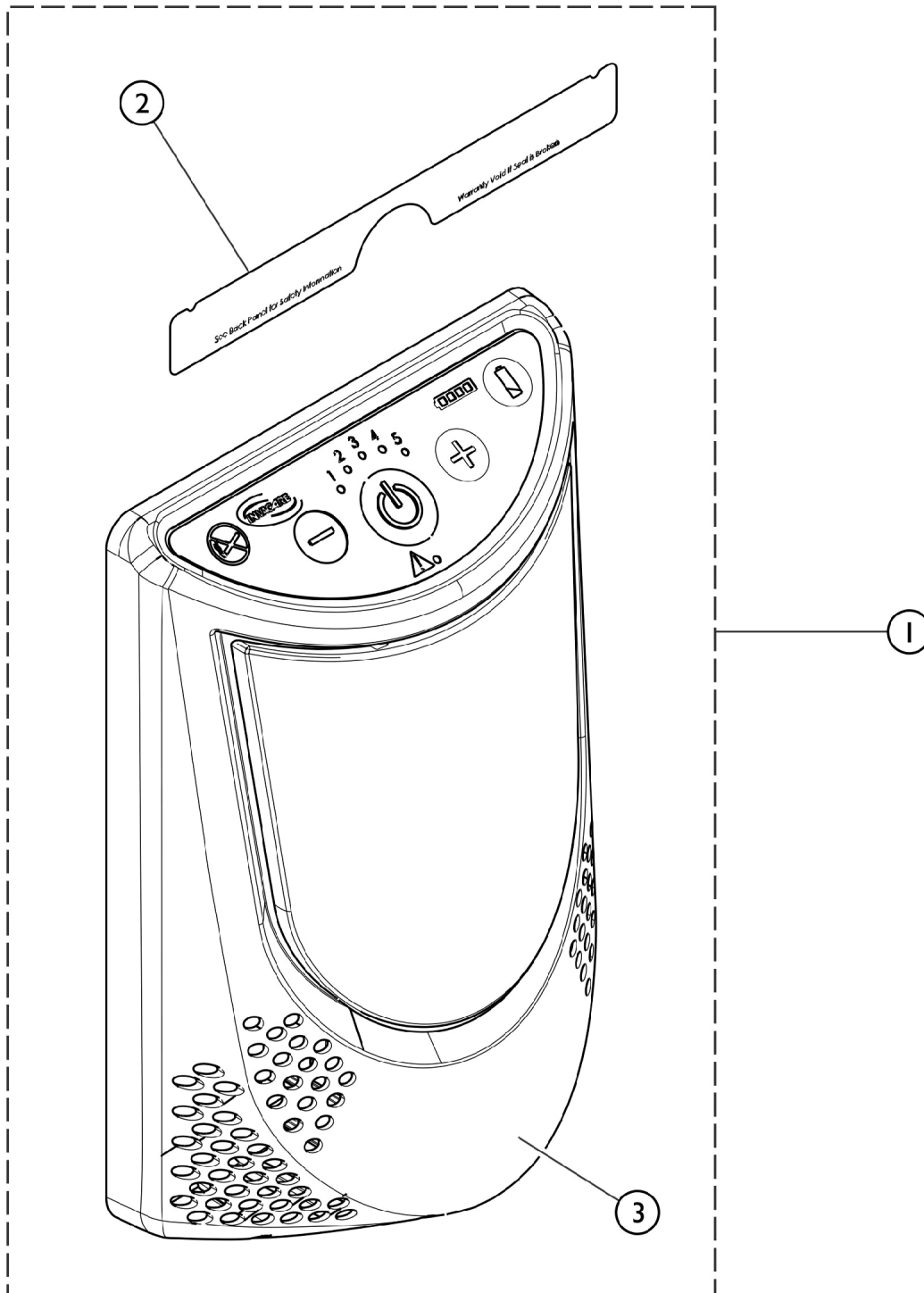


XPO2 Front Assembly (SN 15CF009500 and later)

Kit Number 1185324 is used with XPO2 built prior to SN 15CF009500.



SRE_008A

XPO2 Front Assembly (SN 15CF009500 and later)

Kit Number 1185324 is used with XPO2 built prior to SN 15CF009500.

Item Number	Note	Part Number	Description	Quantity Per	
				Package	Assembly
1	A,B	1185320	Kit, Upper Assembly, XPO2	1	1
2			Seal, Notice	1	1
3			Front Assembly, XPO2	1	1
1	A,C	1185324	Kit, Upper Assembly, XPO2	1	1
2			Seal, Notice	1	1
3			Front Assembly, XPO2	1	1
NOTE: A - Kit includes items 2 and 3. B - Used with XPO2 Concentrators built after Serial Number 15CF009500. C - Used with XPO2 Concentrators built before Serial Number 15CF009500.					