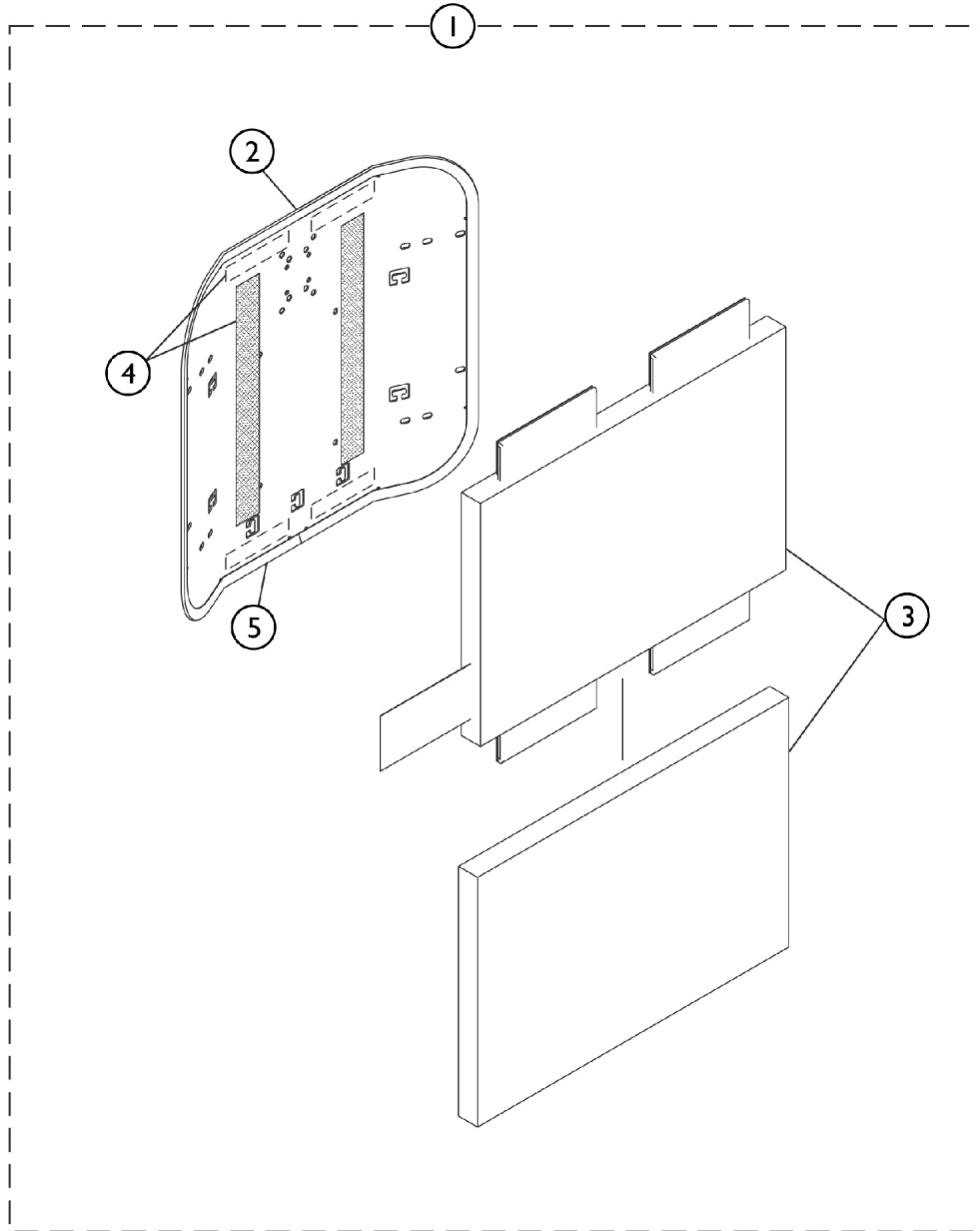


Conventional Back without Mounting Hardware (16"-20" Wide) TDX SC & (16" Wide) TDX SPREE

Only the Back Assembly needs to be replaced when changing back heights.
NOTE: Hook Fastener w/ Adhesive Back Kit must be ordered when a Back Pan or Back Assembly is requested. This will allow the Loop Fastener w/ Adhesive on the Back Cover to attach properly.



SHEP_100A

Conventional Back without Mounting Hardware (16"-20" Wide) TDX SC & (16" Wide) TDX SPREE

Only the Back Assembly needs to be replaced when changing back heights.

NOTE: Hook Fastener w/ Adhesive Back Kit must be ordered when a Back Pan or Back Assembly is requested. This will allow the Loop Fastener w/ Adhesive on the Back Cover to attach properly.

Item Number	Note	Part Number	Description	Quantity Per	
				Package	Assembly
1		See Chart	#1 Back Assembly without Hardware	1	1
2		See Chart	#2 Back Pan with Vinyl Edge Trim	1	1
3		See Chart	#3 Back Cushion Assembly	1	1
4	A	1125723	Kit, Hook Fastener w/ Adhesive Back	1	1
5		1125724-NLA	NLA - Trim, Edge, Cut-To-Length, Vinyl Black (96" L)	1	1

NOTE: A - Hook Fastener w/ Adhesive Back Kit is used to attach the Back Cover to the Back Pan and must be ordered when a new Back Pan or Back Assembly is requested.

#1 Back Assembly without Hardware

Overall Back Height	Material Back Height	16" Wide	17" Wide	18" Wide	19" Wide	20" Wide
20"	15"	1125564	1125565	1125566	1125567	1125568
21"	16"	1125573	1125574	1125575	1125576	1125577
22"	17"	1125582	1125583	1125584	1125585	1125586
23"	18"	1125591	1125592	1125593	1125594	1125595
24"	19"	1125600	1125601	1125602	1125603	1125604

#2 Back Pan with Vinyl Edge Trim

Overall Back Height	Material Back Height	16" Wide	17" Wide	18" Wide	19" Wide	20" Wide
20"	15"	1124578	1124585	1124592	1124599	1124606
21"	16"	1124579	1124586	1124593	1124600	1124607
22"	17"	1124580	1124587	1124594	1124601	1124608
23"	18"	1124581	1124588	1124595	1124602	1124609
24"	19"	1124582	1124589	1124596	1124603	1124610

Conventional Back without Mounting Hardware (16"-20" Wide) TDX SC & (16" Wide) TDX SPREE

Only the Back Assembly needs to be replaced when changing back heights.

NOTE: Hook Fastener w/ Adhesive Back Kit must be ordered when a Back Pan or Back Assembly is requested. This will allow the Loop Fastener w/ Adhesive on the Back Cover to attach properly.

#3 Back Cushion Assembly 16"-20" Wide

Overall Back Height	Material Back Height	16" Wide	17" Wide	18" Wide	19" Wide	20" Wide
20"	15"	1097397	1097398	1097399	1097400	1097401
21"	16"	1097404	1097405	1097406	1097407	1097408
22"	17"	1097411	1097412	1097413	1097414	1097415
23"	18"	1097418	1097419	1097420	1097421	1097422
24"	19"	1097425	1097426	1097427	1097428	1097429

Back cover and foam are sold as a back cushion assembly only. Chart reflects chair width and the actual back cushion width will be 1" wider than the chair width.