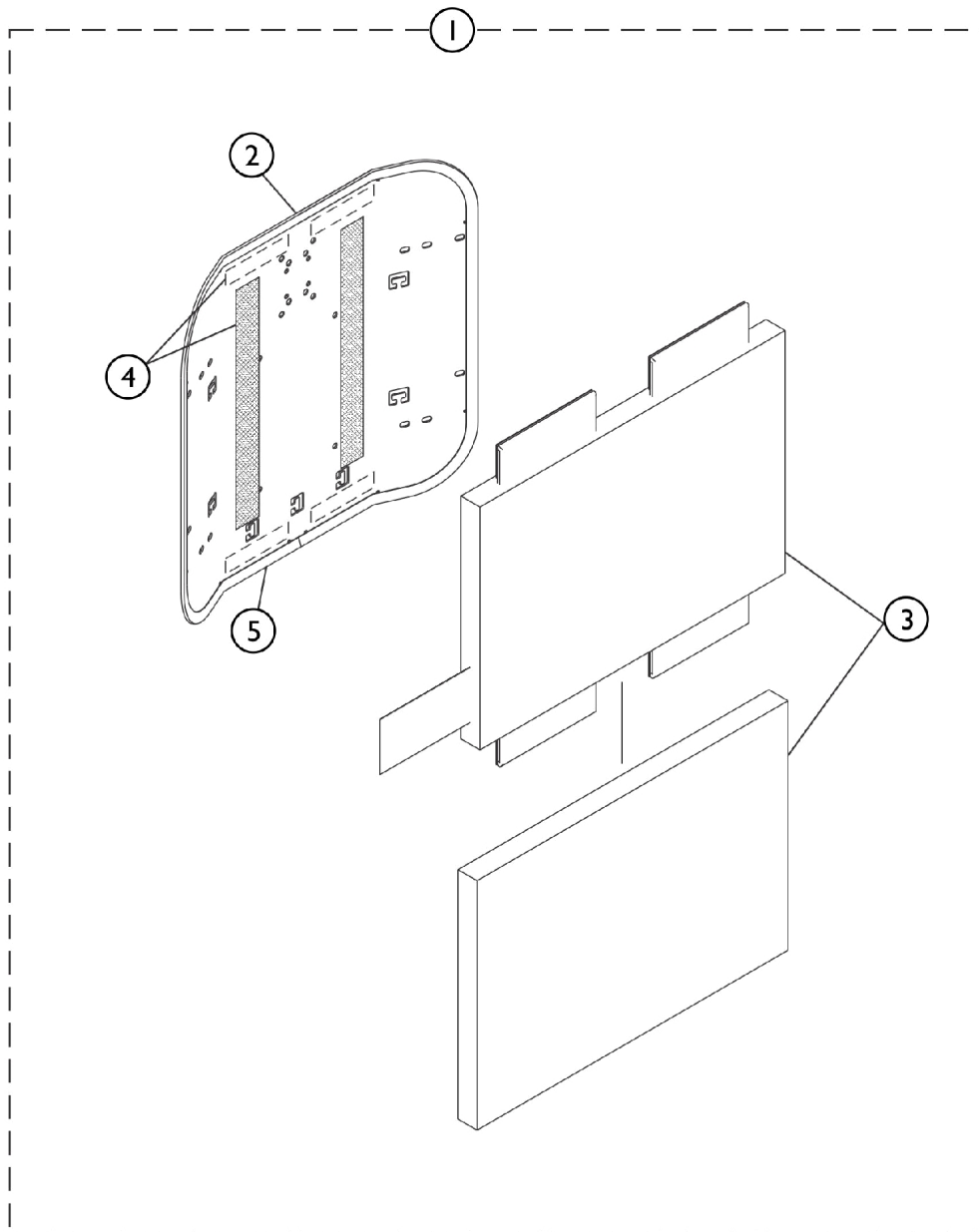


Conventional Back (16"-24" Wide) without Mounting Hardware

NOTE: Extruded back canes come in one back height only. Back cane material height for extruded back canes measure approximately 20-1/2". Overall back height from the seat pan to top of the extruded back cane is approximately 22-1/2". Only the Back Assembly needs replaced when changing back heights.

NOTE: Hook Fastener Adhesive Kit must be ordered when a Back Pan or Back Assembly is ordered. This will allow the Loop Fastener Adhesive on the Back Cover to attach properly.

NOTE: When changing from a Contoura Back to a Conventional Back, order a Recline to Tilt Retro Fit Kit w/ special quote # C-110906094042.



Conventional Back (16"-24" Wide) without Mounting Hardware

NOTE: Extruded back canes come in one back height only. Back cane material height for extruded back canes measure approximately 20-1/2". Overall back height from the seat pan to top of the extruded back cane is approximately 22-1/2". Only the Back Assembly needs replaced when changing back heights.

NOTE: Hook Fastener Adhesive Kit must be ordered when a Back Pan or Back Assembly is ordered. This will allow the Loop Fastener Adhesive on the Back Cover to attach properly.

NOTE: When changing from a Contoura Back to a Conventional Back, order a Recline to Tilt Retro Fit Kit w/ special quote # C-110906094042.

Item Number	Note	Part Number	Description	Quantity Per	
				Package	Assembly
1		See Chart	#1 Back Assembly without Hardware 16"-20" Wide	1	1
1		See Chart	#1 Back Assembly without Hardware 21"-24" Wide	1	1
2		See Chart	#2 Back Pan with Vinyl Edge Trim 16"-20" Wide	1	1
2		See Chart	#2 Back Pan with Vinyl Edge Trim 21"-24" Wide	1	1
3		See Chart	#3 Back Cushion Assembly 16"-20" Wide	1	1
3		See Chart	#3 Back Cushion Assembly 21"-24" Wide	1	1
4	A	1125723	Kit, Hook Fastener w/ Adhesive Back	1	1
5		1125724-NLA	NLA - Trim, Edge, Cut-To-Length, Vinyl Black (96" L)	1	1

NOTE: A - Hook Fastener Adhesive kit is used to attach the Back Cover to the Back Pan and must be ordered when a new Back Pan or Back Assembly is requested.

#1 Back Assembly without Hardware 16"-20" Wide

Overall Back Height	Material Back Height	16" Wide	17" Wide	18" Wide	19" Wide	20" Wide
20"	15"	1125564	1125565	1125566	1125567	1125568
21"	16"	1125573	1125574	1125575	1125576	1125577
22"	17"	1125582	1125583	1125584	1125585	1125586
23"	18"	1125591	1125592	1125593	1125594	1125595
24"	19"	1125600	1125601	1125602	1125603	1125604
25"	20"	1125609	1125610	1125611	1125612	1125613
26"	21"	1125618	1125619	1125620	1125621	1125622

#1 Back Assembly without Hardware 21"-24" Wide

Overall Back Height	Material Back Height	21" Wide	22" Wide	23" Wide	24" Wide
20"	15"	1125569	1125570	1125571	1125572
21"	16"	1125578	1125579	1125580	1125581
22"	17"	1125587	1125588	1125589-NLA	1125590-NLA

Conventional Back (16"-24" Wide) without Mounting Hardware

NOTE: Extruded back canes come in one back height only. Back cane material height for extruded back canes measure approximately 20-1/2". Overall back height from the seat pan to top of the extruded back cane is approximately 22-1/2". Only the Back Assembly needs replaced when changing back heights.

NOTE: Hook Fastener Adhesive Kit must be ordered when a Back Pan or Back Assembly is ordered. This will allow the Loop Fastener Adhesive on the Back Cover to attach properly.

NOTE: When changing from a Contoura Back to a Conventional Back, order a Recline to Tilt Retro Fit Kit w/ special quote # C-110906094042.

#1 Back Assembly without Hardware 21"-24" Wide

Overall Back Height	Material Back Height	21" Wide	22" Wide	23" Wide	24" Wide
23"	18"	1125596	1125597	1125598-NLA	1125599-NLA
24"	19"	1125605	1125606	1125607-NLA	1125608-NLA
25"	20"	1125614	1125615	1125616-NLA	1125617-NLA
26"	21"	1125623	1125624	1125625-NLA	1125626-NLA

Conventional Back (16"-24" Wide) without Mounting Hardware

NOTE: Extruded back canes come in one back height only. Back cane material height for extruded back canes measure approximately 20-1/2". Overall back height from the seat pan to top of the extruded back cane is approximately 22-1/2". Only the Back Assembly needs replaced when changing back heights.

NOTE: Hook Fastener Adhesive Kit must be ordered when a Back Pan or Back Assembly is ordered. This will allow the Loop Fastener Adhesive on the Back Cover to attach properly.

NOTE: When changing from a Contoura Back to a Conventional Back, order a Recline to Tilt Retro Fit Kit w/ special quote # C-110906094042.

#2 Back Pan with Vinyl Edge Trim 16"-20" Wide

Overall Back Height	Material Back Height	16" Wide	17" Wide	18" Wide	19" Wide	20" Wide
20"	15"	1124578	1124585	1124592	1124599	1124606
21"	16"	1124579	1124586	1124593	1124600	1124607
22"	17"	1124580	1124587	1124594	1124601	1124608
23"	18"	1124581	1124588	1124595	1124602	1124609
24"	19"	1124582	1124589	1124596	1124603	1124610
25"	20"	1124583	1124590	1124597	1124604	1124611
26"	21"	1124584	1124591	1124598	1124605	1124612

#2 Back Pan with Vinyl Edge Trim 21"-24" Wide

Overall Back Height	Material Back Height	21" Wide	22" Wide	23" Wide	24" Wide
20"	15"	1124613	1124620	1124627	1124634
21"	16"	1124614	1124621	1124628	1124635
22"	17"	1124615	1124622	1124629	1124636
23"	18"	1124616	1124623	1124630	1124637
24"	19"	1124617	1124624	1124631	1124638
25"	20"	1124618	1124625	1124632	1124639
26"	21"	1124619	1124626	1124633-NLA	1124640

Hook Adhesive is not included with the Back Pan

Conventional Back (16"-24" Wide) without Mounting Hardware

NOTE: Extruded back canes come in one back height only. Back cane material height for extruded back canes measure approximately 20-1/2". Overall back height from the seat pan to top of the extruded back cane is approximately 22-1/2". Only the Back Assembly needs replaced when changing back heights.

NOTE: Hook Fastener Adhesive Kit must be ordered when a Back Pan or Back Assembly is ordered. This will allow the Loop Fastener Adhesive on the Back Cover to attach properly.

NOTE: When changing from a Contoura Back to a Conventional Back, order a Recline to Tilt Retro Fit Kit w/ special quote # C-110906094042.

#3 Back Cushion Assembly 16"-20" Wide

Overall Back Height	Material Back Height	16" Wide	17" Wide	18" Wide	19" Wide	20" Wide
20"	15"	1097397 See Note(s) A	1097398 See Note(s) A	1097399 See Note(s) A	1097400 See Note(s) A	1097401 See Note(s) A
21"	16"	1097404 See Note(s) A	1097405 See Note(s) A	1097406 See Note(s) A	1097407 See Note(s) A	1097408 See Note(s) A
22"	17"	1097411 See Note(s) A	1097412 See Note(s) A	1097413 See Note(s) A	1097414 See Note(s) A	1097415 See Note(s) A
23"	18"	1097418 See Note(s) A	1097419 See Note(s) A	1097420 See Note(s) A	1097421 See Note(s) A	1097422 See Note(s) A
24"	19"	1097425 See Note(s) A	1097426 See Note(s) A	1097427 See Note(s) A	1097428 See Note(s) A	1097429 See Note(s) A
25"	20"	1097432 See Note(s) A	1097433 See Note(s) A	1097434 See Note(s) A	1097435 See Note(s) A	1097436 See Note(s) A
26"	21"	1097439 See Note(s) A	1097440 See Note(s) A	1097441 See Note(s) A	1097442 See Note(s) A	1097443 See Note(s) A
<p>NOTE: A - Back cover and foam are sold as a back cushion assembly only. Chart reflects chair width. The actual back cushion width will be 1" wider than the chair width.</p> <p>Back cover and foam are sold as a back cushion assembly only. Chart reflects chair width. The actual back cushion width will be 1" wider than the chair width.</p>						

Conventional Back (16"-24" Wide) without Mounting Hardware

NOTE: Extruded back canes come in one back height only. Back cane material height for extruded back canes measure approximately 20-1/2". Overall back height from the seat pan to top of the extruded back cane is approximately 22-1/2". Only the Back Assembly needs replaced when changing back heights.

NOTE: Hook Fastener Adhesive Kit must be ordered when a Back Pan or Back Assembly is ordered. This will allow the Loop Fastener Adhesive on the Back Cover to attach properly.

NOTE: When changing from a Contoura Back to a Conventional Back, order a Recline to Tilt Retro Fit Kit w/ special quote # C-110906094042.

#3 Back Cushion Assembly 21"-24" Wide

Overall Back Height	Material Back Height	21" Wide	22" Wide	23" Wide	24" Wide
20"	15"	1097402 See Note(s) A	1125543 See Note(s) A	1125544 See Note(s) A	1125545 See Note(s) A
21"	16"	1097409 See Note(s) A	1125546 See Note(s) A	1125547 See Note(s) A	1125548 See Note(s) A
22"	17"	1097416 See Note(s) A	1125549 See Note(s) A	1125550 See Note(s) A	1125551 See Note(s) A
23"	18"	1097423 See Note(s) A	1125552 See Note(s) A	1125553 See Note(s) A	1125554 See Note(s) A
24"	19"	1097430 See Note(s) A	1125555 See Note(s) A	1125556 See Note(s) A	1125557 See Note(s) A
25"	20"	1097437 See Note(s) A	1125558 See Note(s) A	1125559 See Note(s) A	1125560 See Note(s) A
26"	21"	1097444 See Note(s) A	1125561 See Note(s) A	1125562-NLA See Note(s) A	1125563 See Note(s) A
<p>NOTE: A - Back cover and foam are sold as a back cushion assembly only. Chart reflects chair width. The actual back cushion width will be 1" wider than the chair width.</p> <p>Back cover and foam are sold as a back cushion assembly only. Chart reflects chair width. The actual back cushion width will be 1" wider than the chair width.</p>					