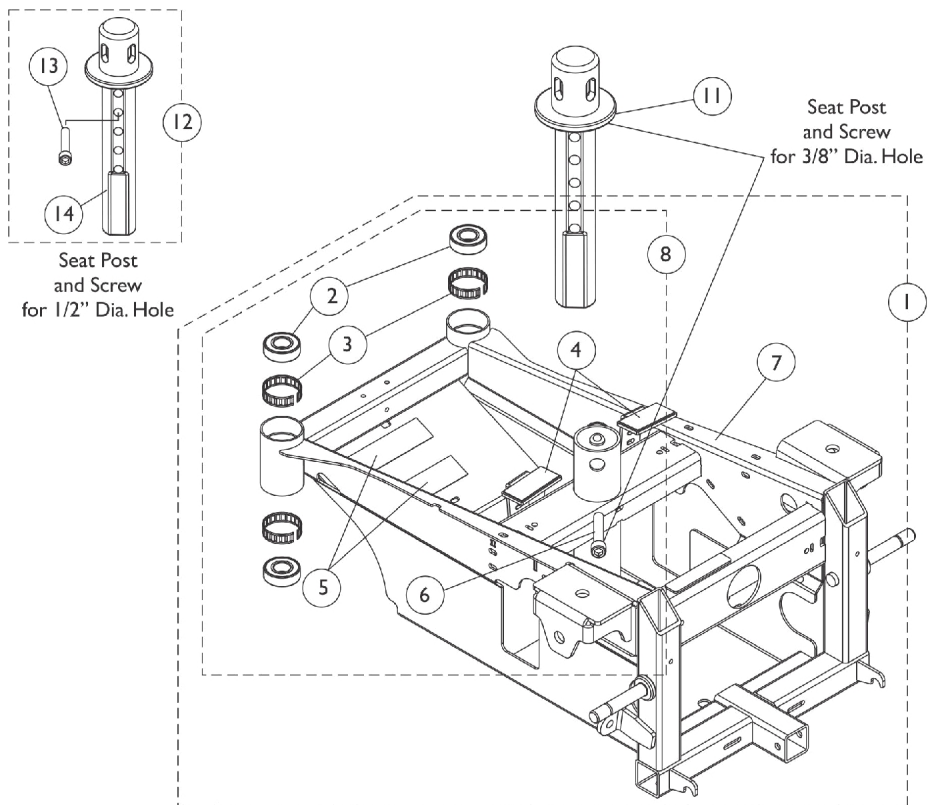
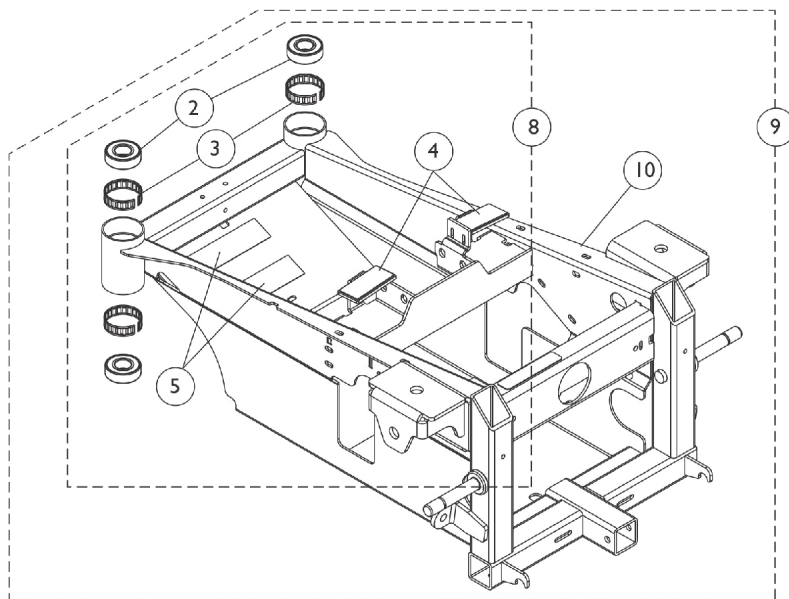


Base Frame, Bearings, Hdwr. and Van Seat Post Assembly



Chairs with Non-Elevating Seat



Chairs with Elevating Seat

Base Frame, Bearings, Hdwr. and Van Seat Post Assembly

Item Number	Note	Part Number	Description	Quantity Per	
				Package	Assembly
1	A,A1,F	1127404	NLA - Frame Assembly, Base, Non-Elevating Seat, Black	1	1
2			Bearing (5/8")	1	4
3			Ring, Tolerance	1	4
4			Hook (1" W)	1	2
5			Fastener, Loop with Adhesive (1")	1	2
6			Screw, Socket Head w/ Patch (3/8-16 x 2")	1	1
7			NLA - Frame, Base, Non-Elevating Seat, Black	1	1
8	B	1127300	Kit, Base Frame Hardware	1	1
2			Bearing (5/8")	1	4
3			Ring, Tolerance	1	4
4			Hook (1" W)	1	2
5			Fastener, Loop with Adhesive (1")	1	2
6			Screw, Socket Head w/ Patch (3/8-16 x 2")	1	1
6	E	1124252	Screw, Socket Head w/ Patch (3/8-16 x 2")	1	1
9	C	1127268-NLA	NLA - Frame Assembly, Base, Elevating Seat, Black	1	1
2			Bearing (5/8")	1	4
3			Ring, Tolerance	1	4
4			Hook (1" W)	1	2
5			Fastener, Loop with Adhesive (1")	1	2
10			NLA - Frame, Base, Elevating Seat, Black	1	1
11	D,E	1143697-NLA	NLA - Post, Seat Pivot	1	1
12	G	1170584	Seat Pivot Post w/ Hardware	1	1
13			Screw, Socket Head w/ Patch (1/2-13 x 2-1/4")	1	1
14			Post, Seat Pivot	1	1

NOTE: A - After 3/25/13 quality improvement was made to Pronto M51 Base Frame Assembly containing "SZ" in the serial # (ie. 13SZXXXXXX). The Seat Post Screw was changed from 3/8"-16 x 2" to 1/2-13 x 2-1/4". Base Frames with "SZ" in the serial number Before 3/26/13

A1 - and all Base Frames w/o "SZ" in the serial number use the 3/8"-16 x 2" hole size configuration. When replacing a Base Frame Assembly After 3/25/13 and contains "SZ" in the serial number, a new Seat Post item #11 and Mounting Screw item #6 must be order.

B - Includes items 2-6. Although included in frame hardware kit, item 6 (Screw) is only used for Base Frames with "SZ" in the serial number Before 3/26/13 and all Base Frames w/o "SZ" in the serial number to accommodate a 3/8" diameter hole.

C - Includes items 2-5 and 10.

D - Effective 10/05/06, the Seat Pivot Post has been updated to give the seat the capability to lock in a 90 degree position from straight either right or left.

E - Used for Base Frames with "SZ" in the serial number Before 3/26/13 and all Base Frames w/o "SZ" in the serial number to accommodate a 3/8" diameter hole.

F - Includes items 2-7

G - Used After 3/25/13 to accommodate 1/2" diameter hole in a Base Frame Assembly containing "SZ" in the serial # (ie. 13SZXXXXXX). Includes items 13 and 14. Individual components are not saleable.