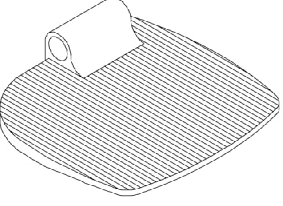
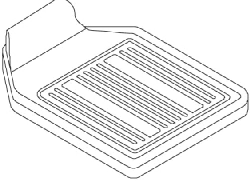
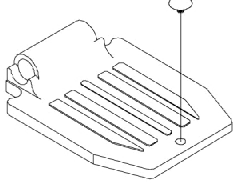
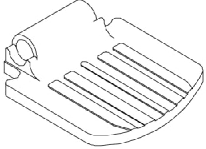


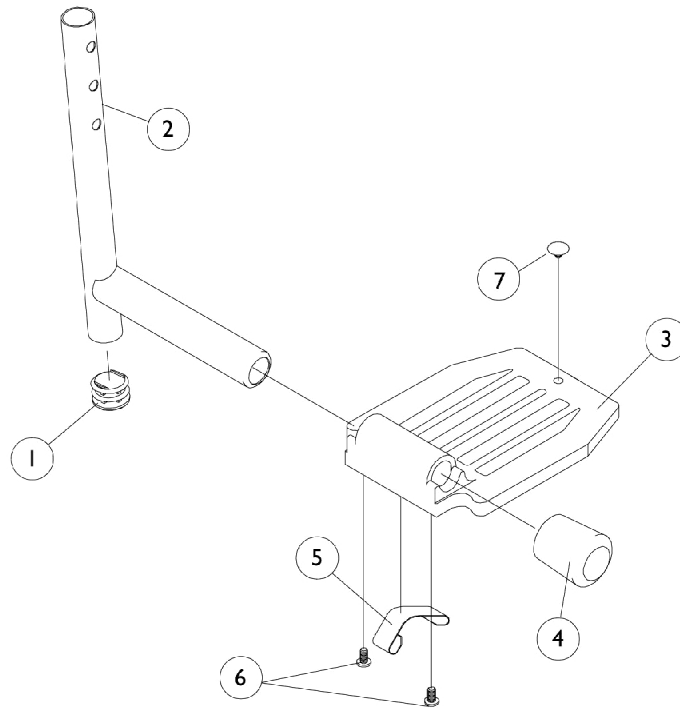
# Pivot/ Slide Tube w/ Footplate

## PW93, PW93E

NOTE: Heel loops are not included. See page titled "Footrest and Legrest Accessories".

NOTE: For complete pivot/slide tube and footplate assemblies, see page titled "Front Riggings Reference Chart".

			
I350 Extra large	I450 Deluxe	16" to 20" Wide Standard Alum.	14" Wide Standard Alum.



## Pivot/ Slide Tube w/ Footplate PW93, PW93E

**NOTE: Heel loops are not included. See page titled "Footrest and Legrest Accessories".**

**NOTE: For complete pivot/slide tube and footplate assemblies, see page titled "Front Riggings Reference Chart".**

Item Number	Note	Part Number	Description	Quantity Per	
				Package	Assembly
1		1027097	Plug Button, Black (3/4")	1	1
2	B,A	1048834	Pivot/Slide Tube w/ Plug Button, Black	1	1
2	C	1070762-NLA	NLA - Tube, Pivot/Slide w/ Plug Button, Deluxe Aluminum, Black	1	1
2	B,C	1098906	Pivot/Slide Tube w/ Plug Button, Black (2" Longer)	1	1
2	B,C	1086482	Pivot/Slide Tube w/ Plug Button, Black (4" Longer)	1	1
3	D	44200X059	Footplate, Aluminum, Small, Black (6-3/4" W x 6" L)	1	1
3		44200X027	Footplate, Aluminum, Medium, Black (7-3/4" W x 6" L)	1	1
3		1043659-NLA	NLA - Footplate, Aluminum, Deluxe, Black - Right (8" W x 5-3/4" L)	1	1
3		1043660-NLA	NLA - Footplate, Aluminum, Deluxe, Black - Left (8" W x 5-3/4" L)	1	1
3	D	1002343	Footplate, Aluminum, Extra Large, Black - Right (7" W x 8-1/2" L)	1	1
3	D	1002344	Footplate, Aluminum, Extra Large, Black - Left (7" W x 8-1/2" L)	1	1
3		44200X025	Footplate, Aluminum, Extra Large, Black - Right (8" W x 8-1/2" L)	1	1
3		44200X026	Footplate, Aluminum, Extra Large, Black - Left (8" W x 8-1/2" L)	1	1
4	B	1016346	Cap, End, Tube, Black (7/8")	1	1
4	A	1027095	Plug Button, Black (7/8")	1	1
5	B	1006981	Spring, Tension	1	1
5	C	1036120-NLA	NLA - Spring	1	2
5	E,A	1036123	Spring, Leaf	1	1
6		40120X001	Screw, Phillips Pan Head (#8-32 x 3/8")	1	1
7		1070168	Plug, Push, Footplate	1	1

NOTE: A - Use with Extra Large Aluminium Footplate.  
 B - Use with Standard Aluminium Footplate.  
 C - Use with Deluxe Aluminium Footplate.  
 D - 14" Wide (R2jr.)  
 E - Use one or more leaf springs per assembly as required such that footplate may be moved by hand to the up-right position and remain in place.