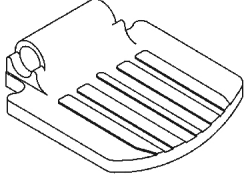
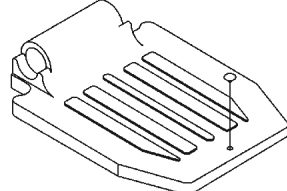
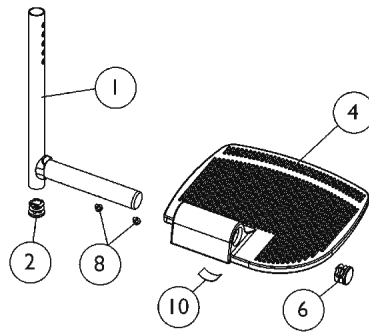


Pivot/Slide Tube w/ Footplate Assembly - Aluminum - 1350, 1650

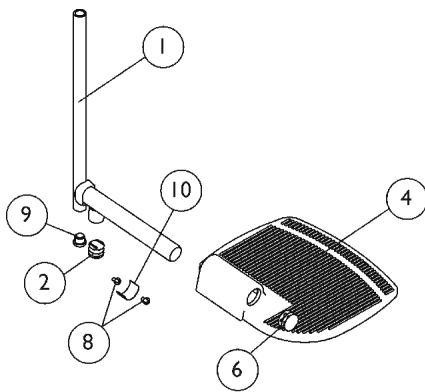
NOTE: Heel Loops are not included. See Footrest and Legrest Accessories

NOTE: For complete pivot/slide tube and footplate assemblies, see Front Riggings Reference Charts.

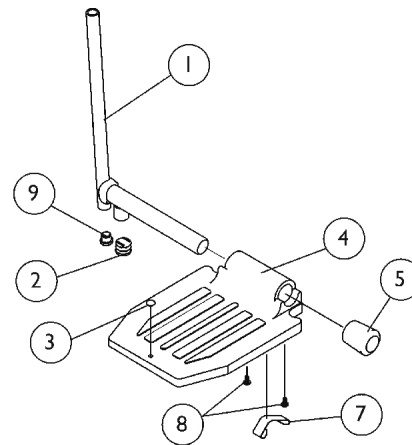
	
<p>14"-15" Wide 1650 Standard Aluminum</p>	<p>16" W and Wider 1650 Standard Aluminum</p>



For AT5544, 70 NHD, PHW93



For PHAL4A Legrest



For PHAL4A Legrest

Pivot/Slide Tube w/ Footplate Assembly - Aluminum - 1350, 1650

NOTE: Heel Loops are not included. See Footrest and Legrest Accessories

NOTE: For complete pivot/slide tube and footplate assemblies, see Front Riggings Reference Charts.

Item Number	Note	Part Number	Description	Quantity Per	
				Package	Assembly
1	A	1048834	Pivot/Slide Tube w/ Plug Button, Black	1	1
1	A	1098906	Pivot/Slide Tube w/ Plug Button, Black (2" Longer)	1	1
1	A	1086482	Pivot/Slide Tube w/ Plug Button, Black (4" Longer)	1	1
1	B	1041526	Pivot/Slide Tube w/ Plug Button Assembly, Chrome	1	1
2		1027097	Plug Button, Black (3/4")	1	1
3		1070168	Plug, Push, Footplate	1	1
4	C	44200X059	Footplate, Aluminum, Small, Black (6-3/4" W x 6" L)	1	1
4	D	44200X027	Footplate, Aluminum, Medium, Black (7-3/4" W x 6" L)	1	1
4		44200X025	Footplate, Aluminum, Extra Large, Black - Right (8" W x 8-1/2" L)	1	1
4		44200X026	Footplate, Aluminum, Extra Large, Black - Left (8" W x 8-1/2" L)	1	1
5		1016346	Cap, End, Tube, Black (7/8")	1	1
6		1027095	Plug Button, Black (7/8")	1	1
7	E	1006981	Spring, Tension	1	2
8		40120X001	Screw, Phillips Pan Head (#8-32 x 3/8")	1	2
9		1018133	Plug Button, Black (5/8")	1	1
10	F,G	1036123	Spring, Leaf	1	1

NOTE: A - Extra Large footplate for AT5544, 70 NHD, PHW93,
 B - Standard Aluminum and Extra Large footplate for PHAL4A
 C - For 14"-15" wide seats
 D - For 16" and wider seats
 E - Use with Standard Footplates.
 F - Use with Extra Large Footplates.
 G - Use one or more leaf springs per assembly as required such that footplate may be moved by hand to the up-right position and remain in place.