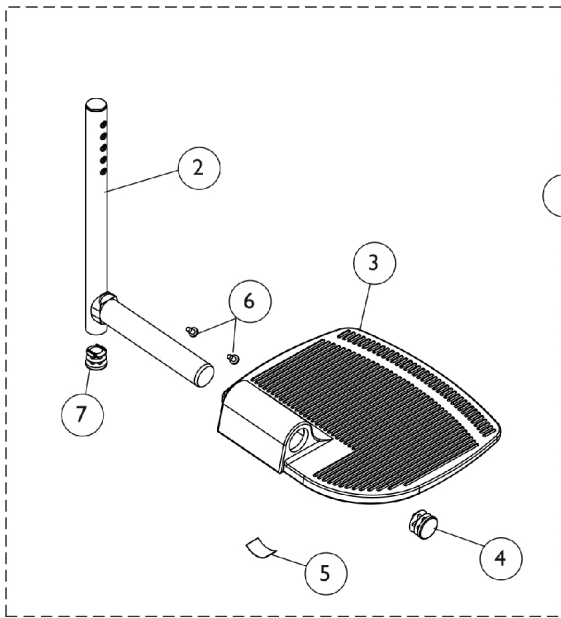
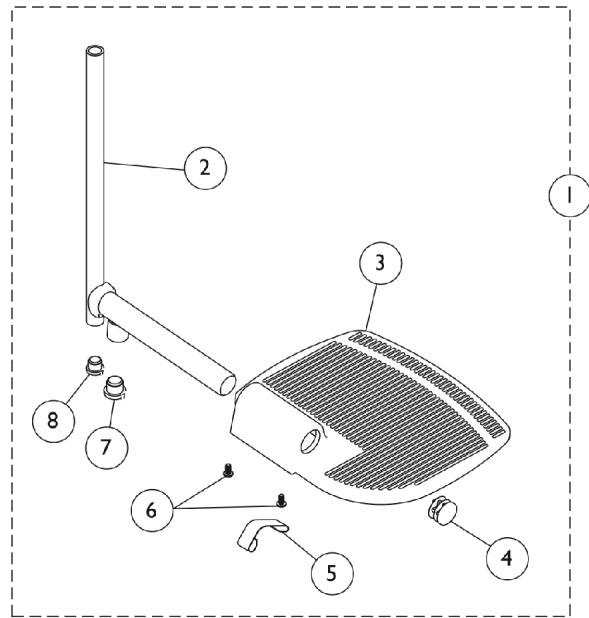


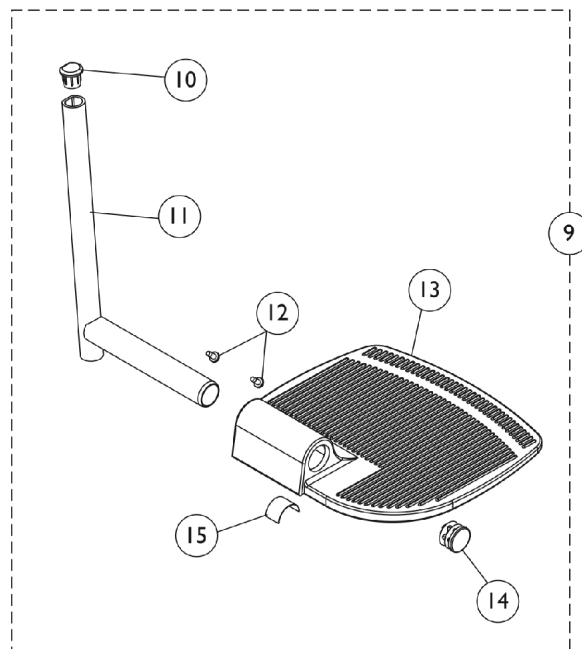
# Footplate and Pivot/Slide Tube Assemblies A1564 Extra Large Aluminum



Used on all front riggings except  
Wedge Style Elevating Legrests AT5044,  
AT5044LIFT and ATL4A Legrest



Used on ATL4A Legrest



Used on Wedge Style Elevating Legrests AT5044 and AT5044LIFT

## Footplate and Pivot/Slide Tube Assemblies A1564 Extra Large Aluminum

Item Number	Note	Part Number	Description	Quantity Per	
				Package	Assembly
1	H,A	See Chart	#1 Pivot/Slide Tube w/ Extra Large Aluminum Footplate	1	1
2	C,B	1120330	Pivot/Slide Tube w/ Plug, Black	1	1
2	D	1041526	Pivot/Slide Tube w/ Plug Button Assembly, Chrome	1	1
3	B	1002343	Footplate, Aluminum, Extra Large, Black - Right (7" W x 8-1/2" L)	1	1
3	B	1002344	Footplate, Aluminum, Extra Large, Black - Left (7" W x 8-1/2" L)	1	1
3	C	44200X025	Footplate, Aluminum, Extra Large, Black - Right (8" W x 8-1/2" L)	1	1
3	C	44200X026	Footplate, Aluminum, Extra Large, Black - Left (8" W x 8-1/2" L)	1	1
4		1130582	Package, Plug Button, Black (7/8")	10	1
5	I,J	1036123	Spring, Leaf	1	1
6		40120X001	Screw, Phillips Pan Head (#8-32 x 3/8")	1	2
7		1134426	Package, Plug Button, Black (3/4")	10	1
8		1134434	Package, Plug Button, Black (5/8")	10	1
9	G	See Chart	#9 Pivot/Slide Tube w/ Extra Large Aluminum Footplate Assembly	1	1
10		1134427	Package, Plug Button, Black, "D" Shaped (3/4")	10	1
11		1134431	Pivot/Slide Tube w/ Plug Buttons, Black	1	1
12		1025729	Screw, Phillips Pan Head Tap (#8-32 x 3/8")	1	2
13	F	1002343	Footplate, Aluminum, Extra Large, Black - Right (7" W x 8-1/2" L)	1	1
13	F	1002344	Footplate, Aluminum, Extra Large, Black - Left (7" W x 8-1/2" L)	1	1
13	G	44200X025	Footplate, Aluminum, Extra Large, Black - Right (8" W x 8-1/2" L)	1	1
13	G	44200X026	Footplate, Aluminum, Extra Large, Black - Left (8" W x 8-1/2" L)	1	1
14		1130582	Package, Plug Button, Black (7/8")	10	1
15	I,J	1036123	Spring, Leaf	1	1

NOTE: A - Includes items 2-7 for all footrests except ATL4A.  
 B - Used on 60, 70, and 80 degree footrest 14-15" wide chairs, also used on 70 degree tapered footrest for 18-19" wide chairs.  
 C - Used on 60, 70, and 80 degree footrest 16-24" wide chairs, also used on 70 degree tapered footrest for 20-24" wide chairs.  
 D - Used on ATL4A Articulated Legrest  
 F - Used on wedge style AT5044 and AT5044LIFT Legrest 14" - 15" wide chairs  
 G - Used on wedge style AT5044 and AT5044LIFT Legrest 16" - 24" wide chairs  
 H - Uses items 2-8 for ATL4A Legrest.  
 I - Use with Extra Large Footplates.  
 J - Use one or more leaf springs per assembly as required such that footplate may be moved by hand to the up-right position and remain in place.

### #1 Pivot/Slide Tube w/ Extra Large Aluminum Footplate

Footrest Type	Chair Width	Right	Left
---------------	-------------	-------	------

# Footplate and Pivot/Slide Tube Assemblies A1564 Extra Large Aluminum

## #1 Pivot/Slide Tube w/ Extra Large Aluminum Footplate

Footrest Type	Chair Width	Right	Left
60 Degree, 60 Degree MFX 70 Degree, 70 Degree Lift Off 80 Degree	14" - 15"	1153943	1153944
70 Degree Tapered	18" - 19"	1153943	1153944
60 Degree, 60 Degree MFX 70 Degree, 70 Degree Lift Off 80 Degree	16" - 24"	1120339	1120340
70 Degree Tapered	20" - 24"	1120339	1120340
ATL4A Articulating Footrest	17" - 24"	1035456	1035457

## #9 Pivot/Slide Tube w/ Extra Large Aluminum Footplate Assembly

Footplate Style	Chair Width	Right	Left
AT5044, AT5044LIFT	14" - 15"	1153941	1153942
AT5044, AT5044LIFT	16" - 24"	1132084	1132085