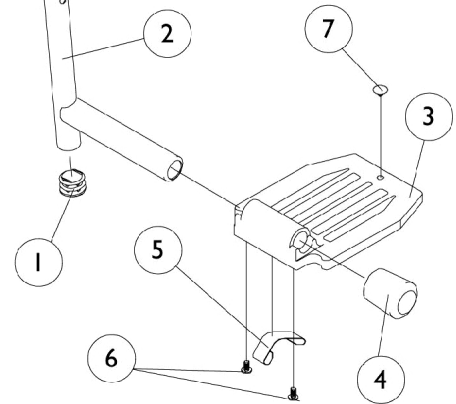
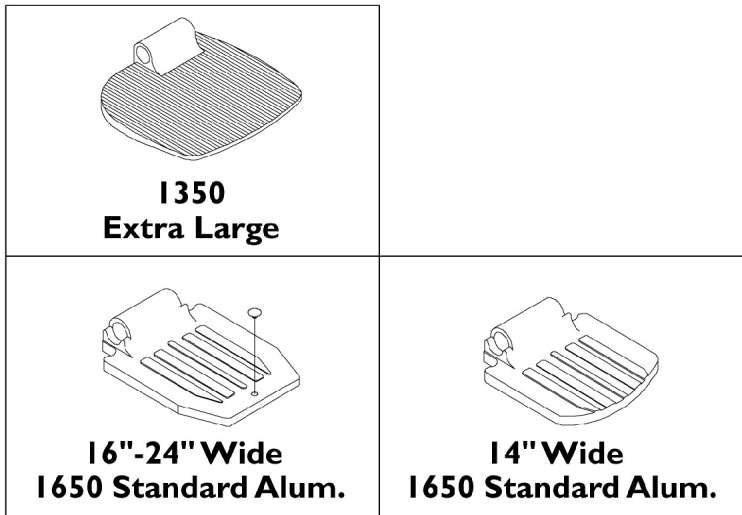


Pivot/Slide Tube w/ Footplate Assembly - Aluminum - 1350, 1650

NOTE: Heel Loops are not included. See footrest and legrest accessories

NOTE: For complete pivot/slide tube and footplate assemblies, see front riggings reference charts.



Pivot/Slide Tube w/ Footplate Assembly - Aluminum - 1350, 1650

NOTE: Heel Loops are not included. See footrest and legrest accessories

NOTE: For complete pivot/slide tube and footplate assemblies, see front riggings reference charts.

Item Number	Note	Part Number	Description	Quantity Per	
				Package	Assembly
1		1027097	Plug Button, Black (3/4")	1	1
2	A	1048834	Pivot/Slide Tube w/ Plug Button, Black	1	1
2	A	1098906	Pivot/Slide Tube w/ Plug Button, Black (2" Longer)	1	1
2	A	1086482	Pivot/Slide Tube w/ Plug Button, Black (4" Longer)	1	1
2	B	1041526	Pivot/Slide Tube w/ Plug Button Assembly, Chrome	1	1
2	C	1100568-NLA	NLA - Pivot/Slide Tube w/ Plug Button, Black	1	1
2	C	1100569-NLA	NLA - Pivot/Slide Tube Assembly, Extra Large, Standard Aluminium - 2" Longer, Black	1	1
2	C	1100570-NLA	NLA - Pivot/Slide Tube w/ Plug Button, Black (4" Longer)	1	1
2	D	1041526	Pivot/Slide Tube w/ Plug Button Assembly, Chrome	1	1
3		44200X059	Footplate, Aluminum, Small, Black (6-3/4" W x 6" L)	1	1
3		44200X027	Footplate, Aluminum, Medium, Black (7-3/4" W x 6" L)	1	1
3		44200X025	Footplate, Aluminum, Extra Large, Black - Right (8" W x 8-1/2" L)	1	1
3		44200X026	Footplate, Aluminum, Extra Large, Black - Left (8" W x 8-1/2" L)	1	1
4	E	1016346	Cap, End, Tube, Black (7/8")	1	1
4	F	1027095	Plug Button, Black (7/8")	1	1
5	E	1006981	Spring, Tension	1	2
5	F,G	1036123	Spring, Leaf	1	1
6		7930354-NLA	NLA - Package, Phillips Head Screw (#8-32 x 3/8")	25	1
7		1070168	Plug, Push, Footplate	1	1
<p>NOTE: A - Extra Large footplate for 60MFX, AT5544, 60, 70, PW93, PW93E B - Extra Large footplate for PAL4A C - Extra Large and Standard Aluminum footplate for P904 D - Standard Aluminum footplate for PAL4 E - For Standard Aluminum footplate F - For Extra Large footplate G - Use one or more leaf springs per assembly as required such that footplate may be moved by hand to the up-right position and remain in place.</p>					