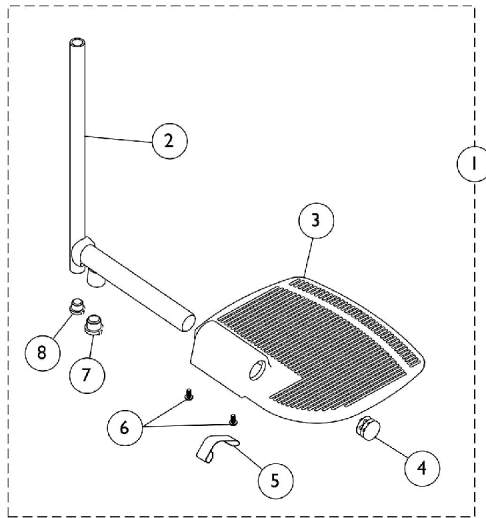
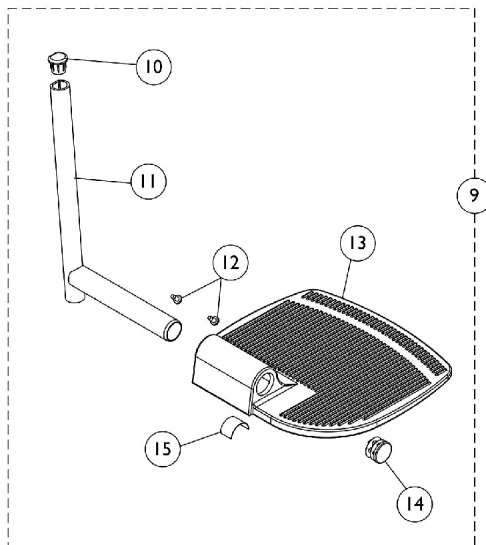


Footplate and Pivot Tube Assemblies - A1564 Extra Large Aluminum



Used on all front riggings except Wedge Style AT5044 Elevating Legrests



Used on Wedge Style AT5044 Elevating Legrests

Footplate and Pivot Tube Assemblies - A1564 Extra Large Aluminum

Item Number	Note	Part Number	Description	Quantity Per	
				Package	Assembly
1	C,A	1120339	Pivot/Slide Tube w/ Extra Large Aluminum Footplate, Black - Right	1	1
1	C,A	1120340	Pivot/Slide Tube w/ Extra Large Aluminum Footplate, Black - Left	1	1
1	C,B	1035456	Pivot/Slide Tube w/ Extra Large Aluminum Footplate, Chrome - Right	1	1
1	C,B	1035457	Pivot/Slide Tube w/ Extra Large Aluminum Footplate, Chrome - Left	1	1
2	A	1120330	Pivot/Slide Tube w/ Plug, Black	1	1
2	B	1041526	Pivot/Slide Tube w/ Plug Button Assembly, Chrome	1	1
3		44200X025	Footplate, Aluminum, Extra Large, Black - Right (8" W x 8-1/2" L)	1	1
3		44200X026	Footplate, Aluminum, Extra Large, Black - Left (8" W x 8-1/2" L)	1	1
4		1130582	Package, Plug Button, Black (7/8")	10	1
5		1036123	Spring, Leaf	1	1
6		40120X001	Screw, Phillips Pan Head (#8-32 x 3/8")	1	2
7		1134426	Package, Plug Button, Black (3/4")	10	1
8		1134434	Package, Plug Button, Black (5/8")	10	1
9	D,E	1132084	Pivot/Slide Tube w/ Extra Large Footplate Assembly, Black - Right	1	1
9	D,E	1132085	Pivot/Slide Tube w/ Extra Large Footplate Assembly, Black - Left	1	1
10		1134427	Package, Plug Button, Black, "D" Shaped (3/4")	10	1
11		1134431	Pivot/Slide Tube w/ Plug Buttons, Black	1	1
12		1025729	Screw, Phillips Pan Head Tap (#8-32 x 3/8")	1	2
13		44200X025	Footplate, Aluminum, Extra Large, Black - Right (8" W x 8-1/2" L)	1	1
13		44200X026	Footplate, Aluminum, Extra Large, Black - Left (8" W x 8-1/2" L)	1	1
14		1130582	Package, Plug Button, Black (7/8")	10	1
15	F	1036123	Spring, Leaf	1	1

NOTE: A - Used on 60° & 70° Footrests and Ratchet Style AT5044 Legrests. 16-22" wide chairs except 20-22" wide on 70° tapered footrests.
B - Used on ATL4A Articulating Legrests. 16-22" wide chairs.
C - Includes items 2-8
D - Includes items 10-15
E - Used on Wedge Style AT5044 Legrests
F - Use one or more leaf springs per assembly as required such that footplate may be moved by hand to the up-right position and remain in place.