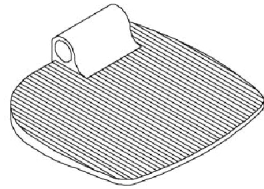


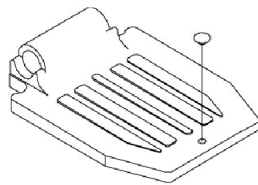
# Pivot/Slide Tube w/ Footplate - Aluminum - 1650, 1350

NOTE: Heel Loops are not included. See Footrest and Legrest Accessories

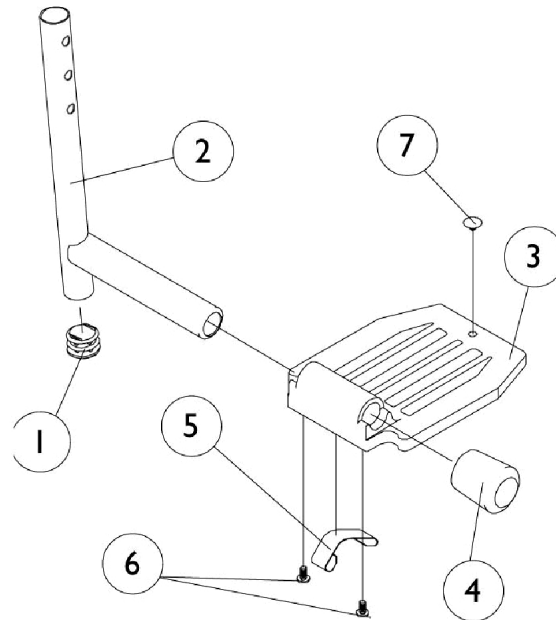
NOTE: For complete pivot/slide tube and footplate assemblies, see Front Riggings Reference Charts.



**1350  
Extra Large**



**16"-22" Wide  
1650 Standard Alum.**



Item Number	Note	Part Number	Description	Quantity Per	
				Package	Assembly
1		1027097	Plug Button, Black (3/4")	1	1
2	A	1048834	Pivot/Slide Tube w/ Plug Button, Black	1	1
2	A	1098906	Pivot/Slide Tube w/ Plug Button, Black (2" Longer)	1	1
2	A	1086482	Pivot/Slide Tube w/ Plug Button, Black (4" Longer)	1	1
2	B	1041526	Pivot/Slide Tube w/ Plug Button Assembly, Chrome	1	1
2	C	1041526	Pivot/Slide Tube w/ Plug Button Assembly, Chrome	1	1
3		44200X027	Footplate, Aluminum, Medium, Black (7-3/4" W x 6" L)	1	1
3		44200X025	Footplate, Aluminum, Extra Large, Black - Right (8" W x 8-1/2" L)	1	1
3		44200X026	Footplate, Aluminum, Extra Large, Black - Left (8" W x 8-1/2" L)	1	1
4	D	1016346	Cap, End, Tube, Black (7/8")	1	1
4	E	1027095	Plug Button, Black (7/8")	1	1
5	D	1006981	Spring, Tension	1	2
5	F,E	1036123	Spring, Leaf	1	1
6		7930354-NLA	NLA - Package, Phillips Head Screw (#8-32 x 3/8")	25	2
7		1070168	Plug, Push, Footplate	1	1

NOTE: A - Extra Large footplate for AT5544, 70, PHW93,  
 B - Extra Large footplate for PHAL4A  
 C - Standard Aluminum footplate for PHAL4  
 D - For Standard Aluminum footplate  
 E - For Extra Large footplate  
 F - Use one or more leaf springs per assembly as required such that footplate may be moved by hand to the up-right position and remain in place.