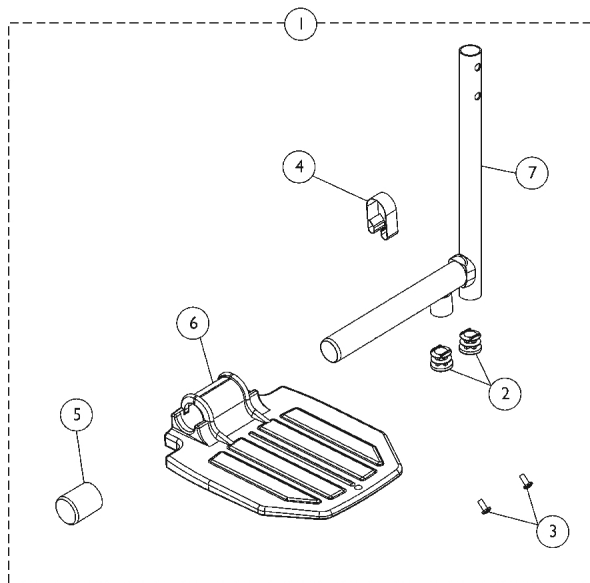
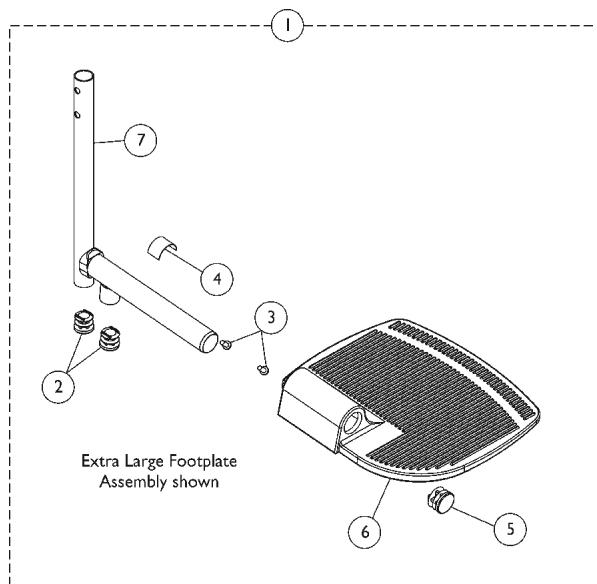


Pivot/Slide Tube w/ Footplate - T94H Series - Veranda Only

NOTE: Pivot/Slide Tube and Footplate is attached to Footrest Support using the spring button or bolt thru hardware. See chart titled, "Pivot Slide Tube Attaching Hardware."



Pivot/Slide Tube w/ Footplate - T94H Series - Veranda Only

NOTE: Pivot/Slide Tube and Footplate is attached to Footrest Support using the spring button or bolt thru hardware. See chart titled, "Pivot Slide Tube Attaching Hardware."

Item Number	Note	Part Number	Description	Quantity Per	
				Package	Assembly
1	A	See Chart	Item #1 Pivot Slide Tube with Footplate	1	1
2		1110301	Pivot/Slide Tube w/ Plug Button, Legrest, Black	1	1
2		1110300-NLA	NLA - Pivot/Slide Tube w/ Plug Button, Legrest, Chrome	1	1
2	B	1111277	Pivot/Slide Tube w/ Plug Button, Footrest, Black	1	1
3		1027097	Plug Button, Black (3/4")	2	2
4		40120X001	Screw, Phillips Pan Head (#8-32 x 3/8")	2	2
5		1016346	Cap, End, Tube, Black (7/8")	1	1
5	B	1027095	Plug Button, Black (7/8")	1	1
6		1015178	Footplate, Composite, Black (6" W x 7-53/64" L)	1	1
6		44200X059	Footplate, Aluminum, Small, Black (6-3/4" W x 6" L)	1	1
6		44200X027	Footplate, Aluminum, Medium, Black (7-3/4" W x 6" L)	1	1
6	B	44200X025	Footplate, Aluminum, Extra Large, Black - Right (8" W x 8-1/2" L)	1	1
6	B	44200X026	Footplate, Aluminum, Extra Large, Black - Left (8" W x 8-1/2" L)	1	1
7		1006981	Spring, Tension	1	1
7	D,B	1036123	Spring, Leaf	1	1
	C	See Chart	Pivot Slide Tube Attaching Hardware	1	1

NOTE: A - Includes items 2-7.
 B - For use on extra large footplate assembly.
 C - Not Shown.
 D - Use one or more leaf springs per assembly as required such that footplate may be moved by hand to the up-right position and remain in place.

Pivot/Slide Tube w/ Footplate - T94H Series - Veranda Only

NOTE: Pivot/Slide Tube and Footplate is attached to Footrest Support using the spring button or bolt thru hardware. See chart titled, "Pivot Slide Tube Attaching Hardware."

Pivot Slide Tube with Footplate

Current Model Number	Chair Width	Frame Side	Standard	2" Longer	4" Longer
T94HA/T94HAB - Black	16-22"	Right	1110315	N/A	N/A
T94HA/T94HAB - Black	16-22"	Left	1110316	N/A	N/A
T94HA/T94HAB - Black	16-22"	Right	1110317-NLA	N/A	N/A
T94HA/T94HAB - Black	16-22"	Left	1110318-NLA	N/A	N/A
T94HAB - Black	18-22"	Right	1110344	N/A	N/A
T94HAB - Black	18-22"	Left	1110345	N/A	N/A
TH94A/T94HAB - Black	16-22"	Right	1110348	N/A	N/A
TH94A/T94HAB - Black	16-22"	Left	1110349	N/A	N/A
T94HS/T94HSB - Black	14-15"	Right	1110365	N/A	N/A
T94HS/T94HSB - Black	14-15"	Left	1110366	N/A	N/A
T94HS/T94HSB - Chrome	14-15"	Right	1110367-NLA	N/A	N/A
T94HS/T94HSB - Chrome	14-15"	Left	1110368-NLA	N/A	N/A
T94HC/T94HCB - Black	16-22"	Right	1110311	N/A	N/A
T94HC/T94HCB - Black	16-22"	Left	1110312	N/A	N/A
T94HC/T94HCB - Chrome	16-22"	Right	1110313-NLA	N/A	N/A
T94HC/T94HCB - Chrome	16-22"	Left	1110314-NLA	N/A	N/A
T94HA - Black	16-22"	Right	1110348	N/A	N/A
T94HA - Black	16-22"	Left	1110349	N/A	N/A
T94HA - Chrome	16-22"	Right	1110350-NLA	N/A	N/A
T94HA - Chrome	16-22"	Left	1110351-NLA	N/A	N/A

Pivot/Slide Tube w/ Footplate - T94H Series - Veranda Only

NOTE: Pivot/Slide Tube and Footplate is attached to Footrest Support using the spring button or bolt thru hardware. See chart titled, "Pivot Slide Tube Attaching Hardware."

Pivot Slide Tube Attaching Hardware

Style	Part Number	Quantity Per Package	Quantity Per Footrest	Quantity Per Legrest
Spring Button Hardware Kit	1188335 See Note(s) A	2	2	4
Bolt Through Hardware Kit	1101776 See Note(s) A	2	2	2
Tool Kit	1058407 See Note(s) B	1	N/A	N/A

NOTE: A - Kit includes 2 ea. Double Spring Buttons.
B - Kit includes allen wrench, key, and open end wrench.