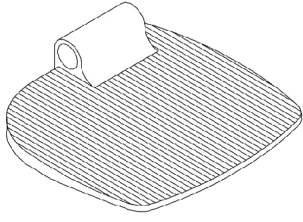
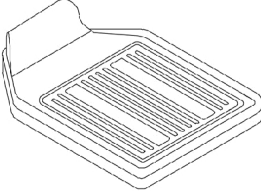
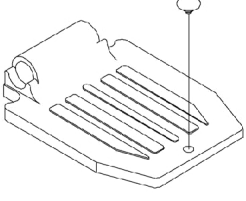


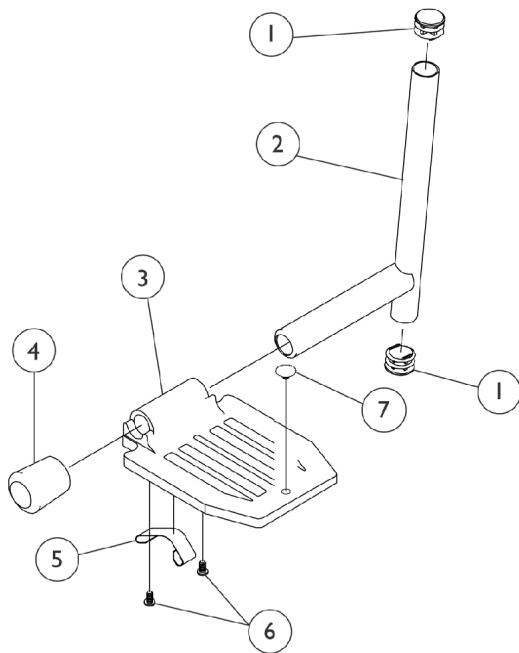
Pivot/Slide Tube and Footplate

P93M, PW93, PHW93, PW93E

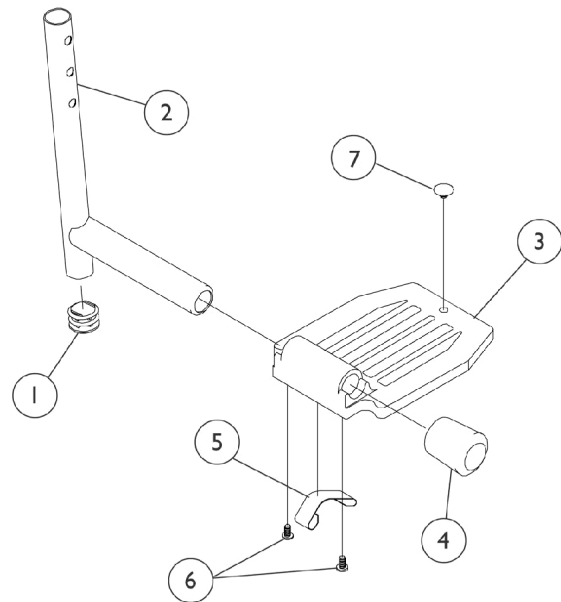
NOTE: Heel Loops are not included. See footrest and legrest accessories.

NOTE: For complete pivot/slide tube and footplate assemblies, see front riggings reference charts.

		
1350 Extra large	1450 Deluxe	1650 Standard Aluminum



P93M



PW93, PHW93 and PW93E

Pivot/Slide Tube and Footplate

P93M, PW93, PHW93, PW93E

NOTE: Heel Loops are not included. See footrest and legrest accessories.

NOTE: For complete pivot/slide tube and footplate assemblies, see front riggings reference charts.

Item Number	Note	Part Number	Description	Quantity Per	
				Package	Assembly
1		1027097	Plug Button, Black (3/4")	1	2
2	A,C	1041527	Pivot/Slide Tube w/ Plug Button, Black	1	1
2	D,A	1048834	Pivot/Slide Tube w/ Plug Button, Black	1	1
2	B,C	1041525-NLA	NLA - Pivot/Slide Tube w/ Plug Button, Deluxe Aluminum, Black	1	1
2	D,B	1070762-NLA	NLA - Tube, Pivot/Slide w/ Plug Button, Deluxe Aluminum, Black	1	1
3		44200X027	Footplate, Aluminum, Medium, Black (7-3/4" W x 6" L)	1	1
3		1043659-NLA	NLA - Footplate, Aluminum, Deluxe, Black - Right (8" W x 5-3/4" L)	1	1
3		1043660-NLA	NLA - Footplate, Aluminum, Deluxe, Black - Left (8" W x 5-3/4" L)	1	1
3		44200X025	Footplate, Aluminum, Extra Large, Black - Right (8" W x 8-1/2" L)	1	1
3		44200X026	Footplate, Aluminum, Extra Large, Black - Left (8" W x 8-1/2" L)	1	1
4	G	1016346	Cap, End, Tube, Black (7/8")	1	1
4	I	1027095	Plug Button, Black (7/8")	1	1
5	F,G	1006981	Spring, Tension	1	2
5	F,H	1036120-NLA	NLA - Spring	1	2
5	I,J	1036123	Spring, Leaf	1	1
6	F	40120X001	Screw, Phillips Pan Head (#8-32 x 3/8")	1	2
7		1070168	Plug, Push, Footplate	1	1
<p>NOTE: A - Standard Aluminum (1650) and Extra Large Aluminum (1350) B - Deluxe Aluminum (1450) C - P93M D - PW93, PHW93 AND PW93E F - Deluxe takes one G - Standard Aluminum Footplate H - Deluxe Aluminum Footplate I - Extra Large Aluminum Footplate J - Use one or more leaf springs per assembly as required such that footplate may be moved by hand to the up-right position and remain in place.</p>					