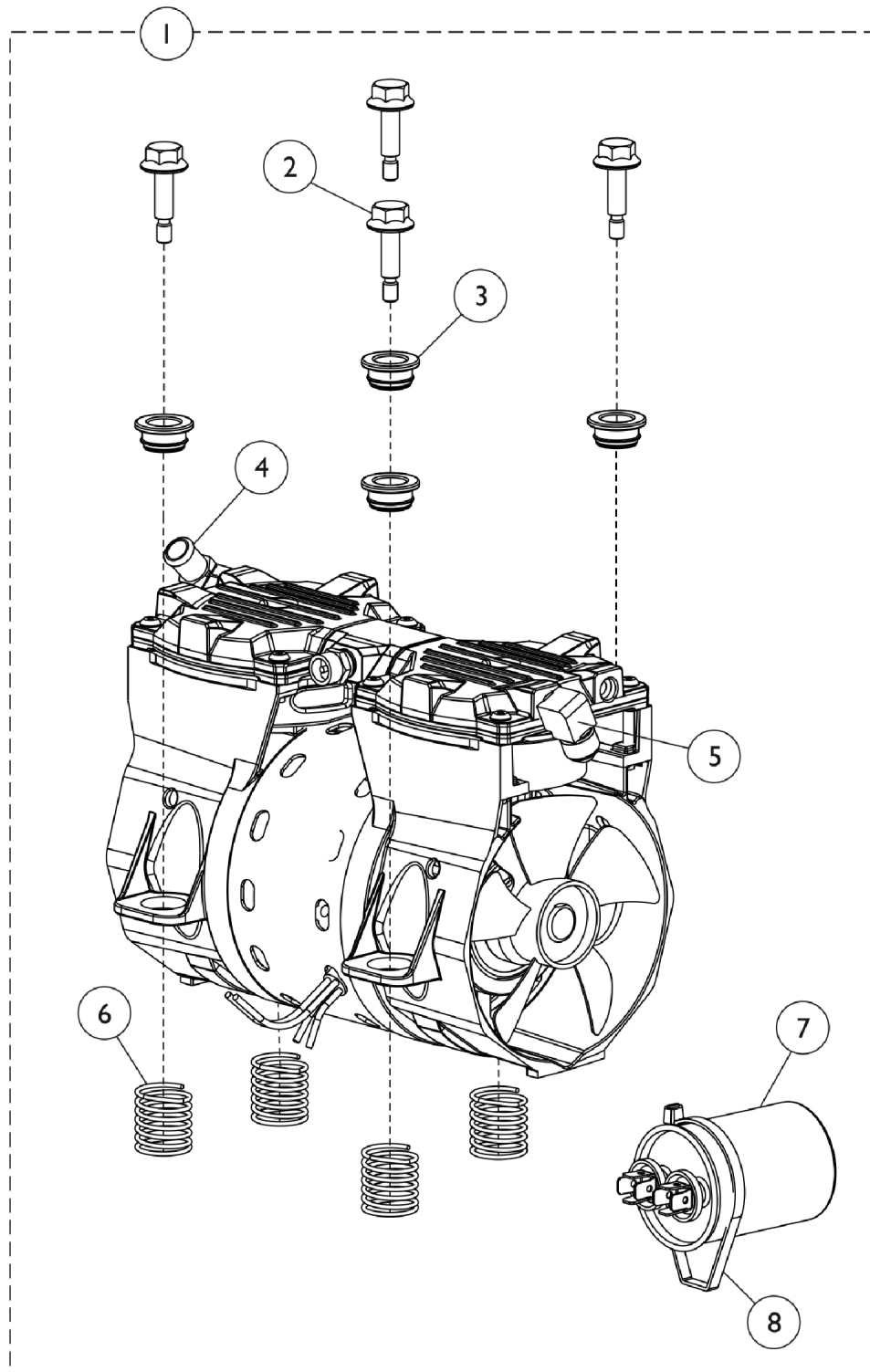


Compressor and Mounting Hardware

Perfecto2/PerfectoW



Compressor and Mounting Hardware Perfecto2/PerfectoW

Item Number	Note	Part Number	Description	Quantity Per	
				Package	Assembly
1	A,D	1162038	Kit, Compressor with Hardware - PW/PO2W	1	1
			NLA - Compressor - P2/ PO2/PW/P02W	1	1
2			Screw, Hex Head Flange (1/4-20 x 7/8")	1	4
3			Bushing, Mounting	1	4
4			Fitting, Elbow (1/2" Beaded Hose x 1/4" NPT)	1	1
5			Elbow, Male Flare	1	1
6			Spring, Compression (63/64 x 1-1/4 x 1/16")	1	4
7			NLA - Tech Only - Capacitor, 10 MFD	1	1
8			Tie Wrap (17-1/2" L)	1	1
1	A	1162038E	WARR RPLMT - Kit, Compressor w/ Hardware, PW/PO2W	1	1
			NLA - WARR RPLMT - Compressor, P2/PO2/PW/PO2W	1	1
2			Screw, Hex Head Flange (1/4-20 x 7/8")	1	4
3			Bushing, Mounting	1	4
4			Fitting, Elbow (1/2" Beaded Hose x 1/4" NPT)	1	1
5			Elbow, Male Flare	1	1
6			Spring, Compression (63/64 x 1-1/4 x 1/16")	1	4
7			NLA - Tech Only - Capacitor, 10 MFD	1	1
8			Tie Wrap (17-1/2" L)	1	1
2		1143461	Screw, Hex Head Flange (1/4-20 x 7/8")	1	4
3		1143462	Bushing, Mounting	1	4
4		1108819	Fitting, Elbow (1/2" Beaded Hose x 1/4" NPT)	1	1
5	E	1169408-NLA	NLA - Fitting, Elbow Swivel (1/4 NPT x 3/8 Tube)	1	1
5		1143489	Elbow, Male Flare	1	1
6		1143460	Spring, Compression (63/64 x 1-1/4 x 1/16")	1	4
7	B	1131250KIT	Kit, Capacitor (10 MFD)	1	1
			NLA - Tech Only - Capacitor, 10 MFD	1	1
			Tie Wrap (17-1/2" L)	1	1
			Tie Wrap (8" L)	1	2
			Instruction Sheet, Capacitor Replacement	1	1
8		1018239	Tie Wrap (17-1/2" L)	1	1
	C	1153688	Kit, Compressor Rebuild w/ Instruction Sheet	1	1
			Compressor Rebuild - Thomas	1	1
			Instruction Sheet, Thomas Rebuild 2660-2650	1	1
<p>NOTE: A - Kit includes the Compressor and items 2 thru 8. Compressor is not available separately. B - Includes 10MFD Capacitor, Tie Wraps and Installation Instructions. C - When replacing or servicing a compressor, Part Number 1131250 must also be replaced. D - When ordering a replacement compressor, you should order 1143557 Heat Exchanger when replacing a unit manufactured between 5/17/11 and 7/20/11. E - No longer available, use 1143489 as its replacement.</p>					