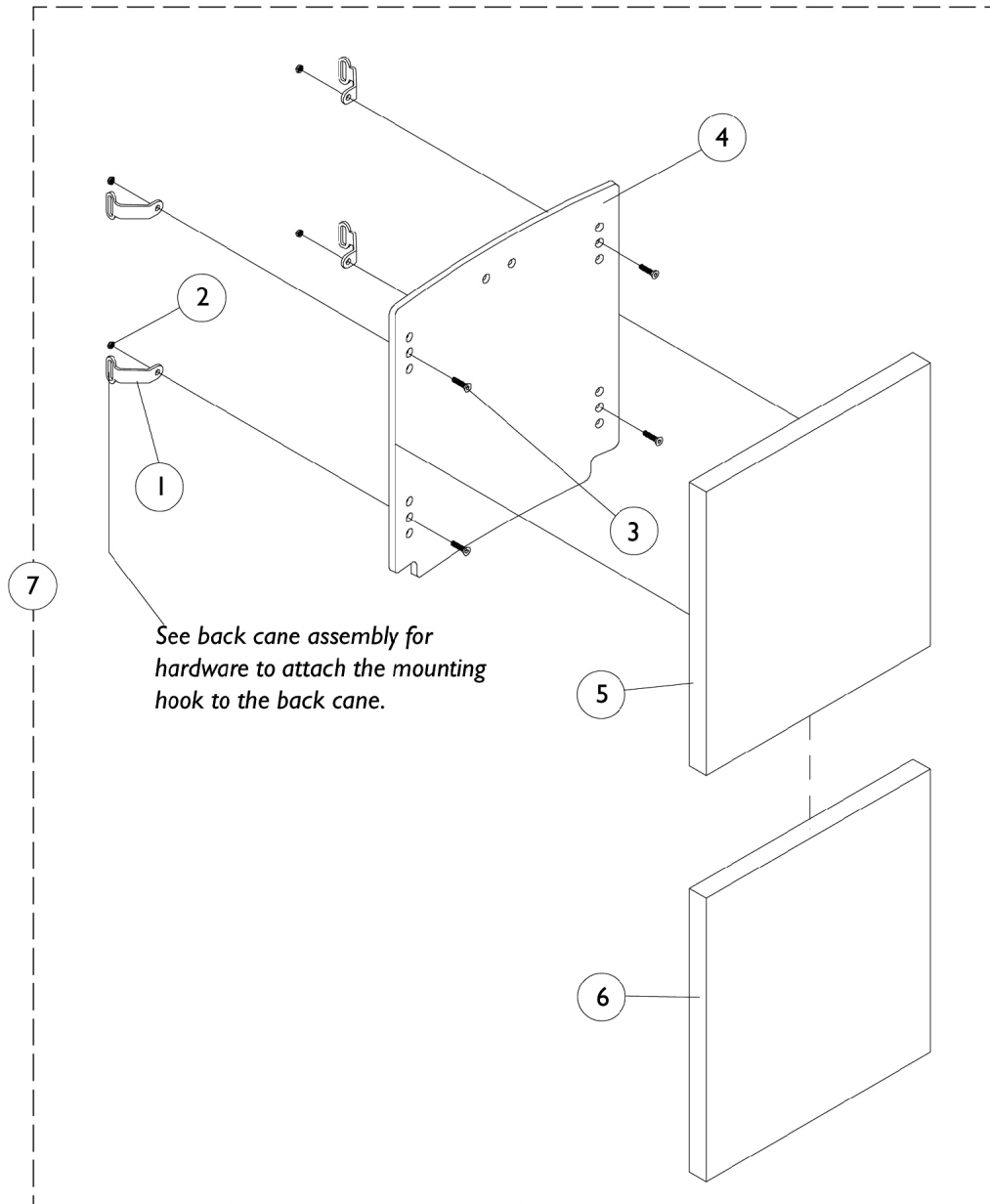


# A.B.S. Curved Back Assembly

Recline, Fixed Back (Non-VSR)  
Tilt/Recline and Recline Only



# A.B.S. Curved Back Assembly

## Recline, Fixed Back (Non-VSR)

### Tilt/Recline and Recline Only

Item Number	Note	Part Number	Description	Quantity Per	
				Package	Assembly
1		0029002-NLA	NLA - Bracket, Non-Sliding Back Pan Mounting	1	4
2		7930323-NLA	NLA - Package, Locknut (1/4-20)	25	4
3		1029545	Screw, Socket Flat Head (1/4-20 x 3/4")	1	4
4-7		See Chart	#s 4-7 A.B.S. Curved Back Assembly	1	1
	A,E	1125723	Kit, Hook Fastener w/ Adhesive Back	1	1
	A,B	0143900-NLA	NLA - Flap, Back Pan - Tarsys	1	1
	A,C	0144000-NLA	NLA - Flap, Back Pan - Tarsys	1	1
	A,D	0144100-NLA	NLA - Flap, Back Pan - Tarsys	1	1

NOTE: A - Not Shown.  
 B - 16"-17" Wide  
 C - 18"-19" Wide  
 D - 20"-24" Wide  
 E - Hook Fastener Adhesive Kit is used to attach the Back Cover to the Back Pan and must be ordered when a new Back Pan or Back Assembly is requested.

Material Back Width x Height	Overall Back Height	Item #4 1" Back Pan	Item #5 Back Foam	Item #6 Back Assembly Cover	Item #7 w/Fixe Hardware
14" x 18"	20"-22"H	1073064-NLA	1073071-NLA	1073093	1077087
15" x 18"	20"-22"H	1073065-NLA	1073081-NLA	1077077	1077088-NLA
16" x 18"	20"-22"H	0118819-NLA	0010120-NLA	0124321-NLA	1072868-NLA
17" x 18"	20"-22"H	0118919-NLA	0126720-NLA	0124421-NLA	1072869
18" x 18"	20"-22"H	0119019-NLA	0126820-NLA	0124521-NLA	1072870
19" x 18"	20"-22"H	0119119-NLA	0126920	0124621-NLA	1072871-NLA
20" x 18"	20"-22"H	0119219-NLA	0010220-NLA	0124721-NLA	1072872-NLA
21" x 18"	20"-22"H	0119319-NLA	1073083-NLA	0304121-NLA	1077089-NLA
22" x 18"	20"-22"H	0119419	1073084-NLA	0304321-NLA	1077090-NLA
23" x 18"	20"-22"H	Special	Special	Special	Special
24" x 18"	20"-22"H	Special	Special	Special	Special
14" x 20"	23"-25"H	1073066-NLA	1073073	0010921-NLA	1077091-NLA
15" x 20"	23"-25"H	1073067-NLA	1073086-NLA	0011121-NLA	1077092
16" x 20"	23"-25"H	0125319-NLA	0009820-NLA	0011321-NLA	1072873-NLA
17" x 20"	23"-25"H	0125419-NLA	0010020-NLA	0011521-NLA	1072874-NLA
18" x 20"	23"-25"H	0125519-NLA	0010220-NLA	0011721-NLA	1072875-NLA
19" x 20"	23"-25"H	0125619-NLA	0010420	0011921-NLA	1072876
20" x 20"	23"-25"H	0125719	0010620-NLA	0012121-NLA	1072877
21" x 20"	23"-25"H	0125819	1073087-NLA	0304221-NLA	1077093
22" x 20"	23"-25"H	0125919-NLA	1073088-NLA	0158721-NLA	1077094
23" x 20"	23"-25"H	Special	Special	Special	Special

# A.B.S. Curved Back Assembly

## Recline, Fixed Back (Non-VSR) Tilt/Recline and Recline Only

Material Back Width x Height	Overall Back Height	Item #4 1" Back Pan	Item #5 Back Foam	Item #6 Back Assembly Cover	Item #7 w/Fixed Hardware
24" x 20"	23"-25"H	Special	Special	Special	Special
NOTE: Some foam size part numbers can accommodate two width and two back heights by turning the foam around 90 degrees. Example would be a (16" W x 20" H) can be (20" W x 16" H) in other applications.					