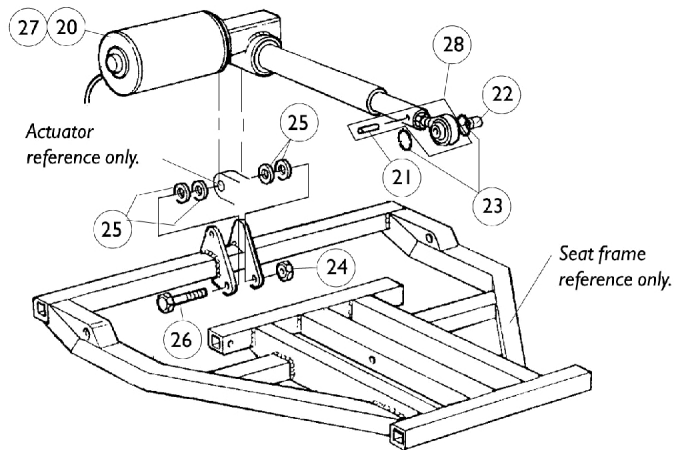
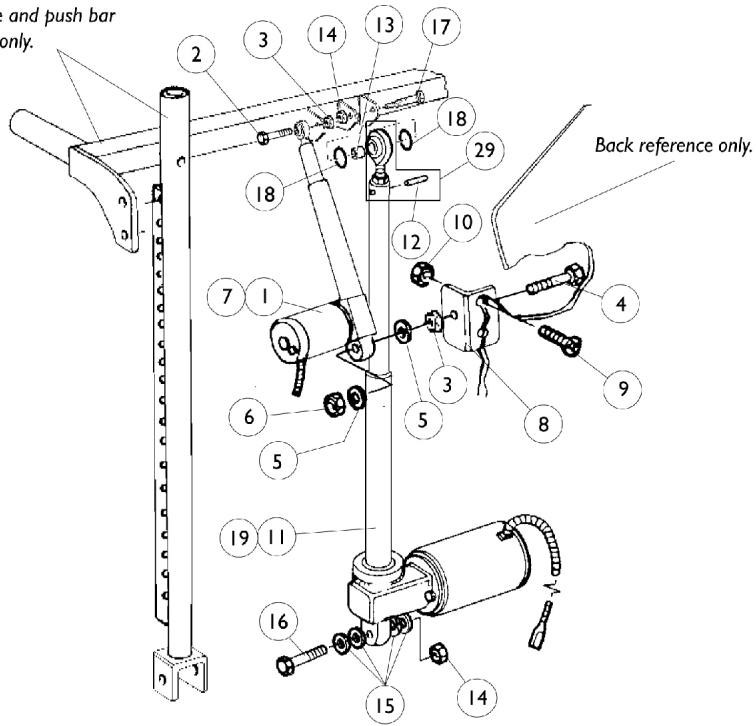


Motor Actuators

Tilt, Recline and V.S.R.

Tilt/Recline and Recline Only

*Back cane and push bar
reference only.*



Motor Actuators

Tilt, Recline and V.S.R.

Tilt/Recline and Recline Only

VSR

Item Number	Note	Part Number	Description	Quantity Per	
				Package	Assembly
1	A	0000800-NLA	Actuator Motor Assembly, V.S.R. (4" Stroke)	1	1
1	C	0001100-NLA	NLA - Actuator Motor Assembly (5" Stroke)	1	1
2		0053006-NLA	NLA - Screw, Hex Head (1/4-20 x 3/4")	1	1
3		7930323-NLA	NLA - Package, Locknut (1/4-20)	25	2
4		0051006-NLA	NLA - Screw, Hex Head Full Thread (1/4-20 x 1-1/2")	1	1
5		0050406	Washer, Flat (1/4 x 5/8 x 1/16")	1	2
6		7930333	Locknut (1/4-20)	25	1
7	A,B	1072853-NLA	NLA - Kit, Actuator Motor w/ Hardware, V.S.R. (4" Stroke)	1	1
7	A,B	1072854-NLA	NLA - Kit, Actuator Motor w/ Hardware, V.S.R. (5" Stroke)	1	1
8		0314402	Bracket, V.S.R. Mounting, Black	1	1
9		0195606-NLA	NLA - Screw, Socket, Cap, Flat Head (1/4-20 x 3/4")	1	2
10		7930323-NLA	NLA - Package, Locknut (1/4-20)	1	1
NOTE: A - A.B.S. back uses a 4" stroke actuator with 21"-22" back heights. A.B.S. back uses a 5" stroke actuator with 23"-25" back heights. Profile and recessed backs use a 4" stroke actuator with 23"-25" back heights. B - Includes items 1-6 C - 5" Stroke, V.S.R.					

Recline

Item Number	Note	Part Number	Description	Quantity Per	
				Package	Assembly
11		0312000-NLA	NLA - Actuator Motor Assembly, Recline (6.5" Stroke)	1	1
12		1028848-NLA	NLA - Pin, Roll (1/8" x 7/8")	1	1
13		0060500	Bushing (3/8 x 1/2 x 5/8")	1	1
14		0054106-NLA	NLA - Locknut, High Profile (3/8-16)	1	2
15		0053900-NLA	NLA - Washer, Nylon (3/8 x 13/16 x 1/16")	1	4
16		1106223	Screw, Socket Head (3/8-16 x 2-1/2")	1	1
17		0054606-NLA	NLA - Screw, Hex Head (3/8-16 x 2")	1	1
18		0056000-NLA	NLA - O-Ring (1/2 x 7/8 x 3/16")	1	2
19	A	1072821-NLA	NLA - Actuator Motor w/Hardware	1	1
NOTE: A - Includes items 11-18					

Motor Actuators

Tilt, Recline and V.S.R.

Tilt/Recline and Recline Only

Tilt

Item Number	Note	Part Number	Description	Quantity Per	
				Package	Assembly
20		0308500-NLA	NLA - Actuator Motor Assembly, Large (5" Stroke)	1	1
21		0308600	Pin, Roll (1/8 x 7/8")	1	1
22		0060500	Bushing (3/8 x 1/2 x 5/8")	1	1
23		0140600	Washer, Rubber (13/16 x 13/32 x 3/32)	1	2
24		0054106-NLA	NLA - Locknut, High Profile (3/8-16)	1	1
25		0053900-NLA	NLA - Washer, Nylon (3/8 x 13/16 x 1/16")	1	4
26		1106223	Screw, Socket Head (3/8-16 x 2-1/2")	1	1
27	A	1072786-NLA	NLA - Actuator Motor w/ Hardware, Large (5" Stroke)	1	1
28	B	0313900-NLA	NLA - Rod, End with Locknut and Roll Pin	1	1
28	C	1077197	Rod, End w/ Locknut and Roll Pin	1	1
29	C,D	1084707-NLA	NLA - Rod, End with Locknut and Roll Pin	1	1
NOTE: A - Includes items 20-26 B - SKF Actuator C - Motion Systems Actuator D - V.S.R.					