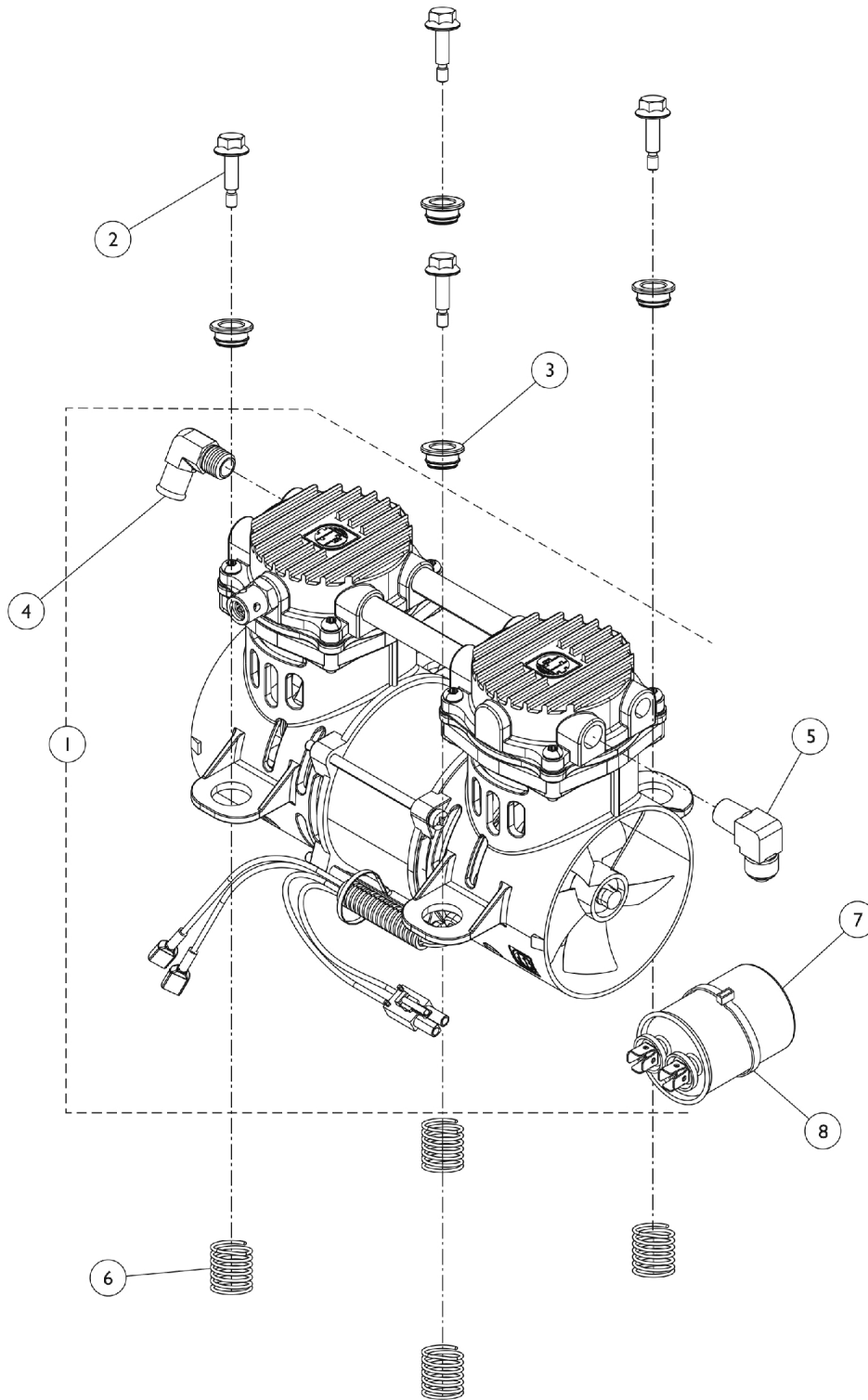


# Compressor and Mounting Hardware Perfecto2 AW



## Compressor and Mounting Hardware Perfecto2 AW

Item Number	Note	Part Number	Description	Quantity Per	
				Package	Assembly
1	A	1154100-NLA	NLA - Tech Only - Compressor Assembly w/ Capacitor	1	1
2		1143461	Screw, Hex Head Flange (1/4-20 x 7/8")	1	4
3		1143462	Bushing, Mounting	1	4
4		1108819	Fitting, Elbow (1/2" Beaded Hose x 1/4" NPT)	1	1
5	C	1143489	Elbow, Male Flare	1	1
6		1143460	Spring, Compression (63/64 x 1-1/4 x 1/16")	1	4
7	B	1131250KIT	Kit, Capacitor (10 MFD)	1	1
			NLA - Tech Only - Capacitor, 10 MFD	1	1
			Tie Wrap (17-1/2" L)	1	1
			Tie Wrap (8" L)	1	2
			Instruction Sheet, Capacitor Replacement	1	1
8		1018239	Tie Wrap (17-1/2" L)	1	1

NOTE: A - Includes (1) Compressor, and Items 4, 5, and 7. You will also need to order (1) Tie Wrap Part #1018239.  
 B - Includes (1) 10MFD Capacitor and (2) Tie Wraps.  
 C - When ordering a replacement compressor, you should order 1143557 Heat Exchanger, when replacing a unit manufactured between 5/17/11 and 7/20/11.