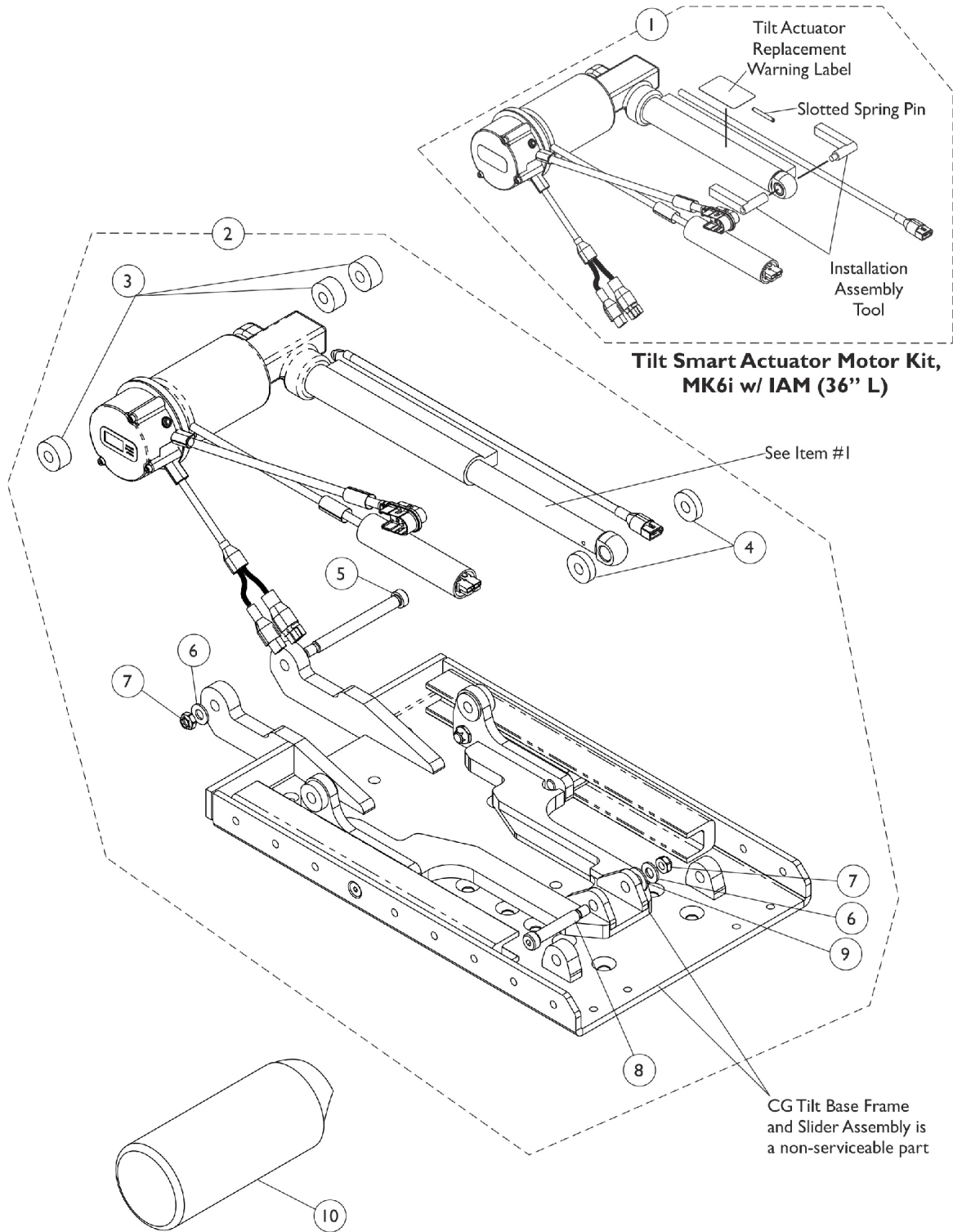


Tilt Smart Actuator Motor and Mounting Hardware After 4/1/13

Smart Actuators are standard on TDX SR models



Tilt Smart Actuator Motor and Mounting Hardware

After 4/1/13

Smart Actuators are standard on TDX SR models

Item Number	Note	Part Number	Description	Quantity Per	
				Package	Assembly
1	A,C,D	1186171	Kit, Tilt Smart Actuator Motor, MK6i w/ IAM (36" L)	1	1
2	B	1180313	Kit, Tilt Actuator Motor Mounting Hardware	1	1
3			Spacer (3/8 x 1 x 1/2")	1	3
4			NLA - Washer, Nylon (13/32 x 1 x 1/4")	1	2
5			Screw, Shoulder Hex Socket Head (3/8" x 3-1/2", 5/16-18)	1	1
6			Washer, Flat (5/16 x 5/8 x 1/16")	1	2
7			Locknut (5/16-18)	1	2
8			Screw, Shoulder Hex Socket Head (3/8 x 1-3/4", 5/16-18)	1	1
9			Washer, Plain (1/4 x 9/16 x 1/16")	1	1
			Instruction Sheet, Tilt Actuator Motor Installation	1	1
10		1159388	Cover, Tilt Smart Actuator Motor	1	1

NOTE: A - Includes the Tilt Smart Actuator Motor, Bushings, Installation Assembly Tool, Slotted Spring Pin, Silicon Lubricant, Warning Label, Instructions and Integrated Actuator Module (IAM) attached to the motor. Components are not sold separately.
 B - Includes items 3-9 and Installation Instruction Sheet.
 C - Due to NEW Installation procedures, refer to the Tilt Actuator Replacement Instructions included with the Kit for assistance.
 D - Includes Part #1190604 Supplemental Power Wheelchair Warnings/Wear and Tear Information Owner's Manual.