

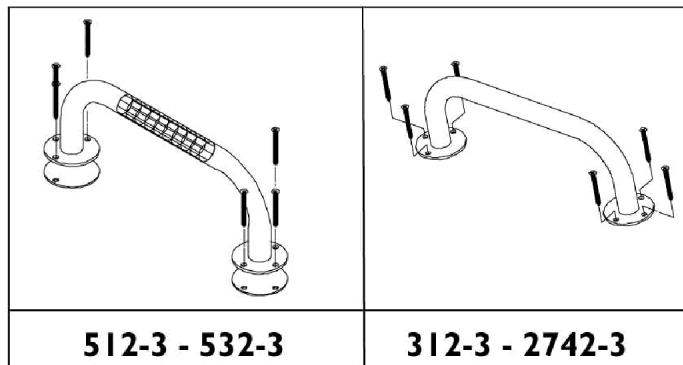
Grab Bar Hardware

Hardware for:

Models 2712-3 - 2742-3, ADA Compliant

Models 512-3 - 532-3, Knurled

Models 312-3 - 332-3, Residential



Hardware Package for Grab Bars

Includes: 6 Each, Screws - Phillips Pan Head (10-11 x 2)

Grab Bar Hardware

Model Numbers	Hardware Package	Quantity Per Package
312 - 332	1074401-NLA See Note(s) A	1
512 - 532	1074401-NLA See Note(s) A	1
1706CH	1074401-NLA See Note(s) A	1
1754	1074401-NLA See Note(s) A	1
1766	N/A	1
1910 - 1913	1074401-NLA See Note(s) A	1
2712 - 2736	1074401-NLA See Note(s) A	1

NOTE: A - Kit includes (6) screws.