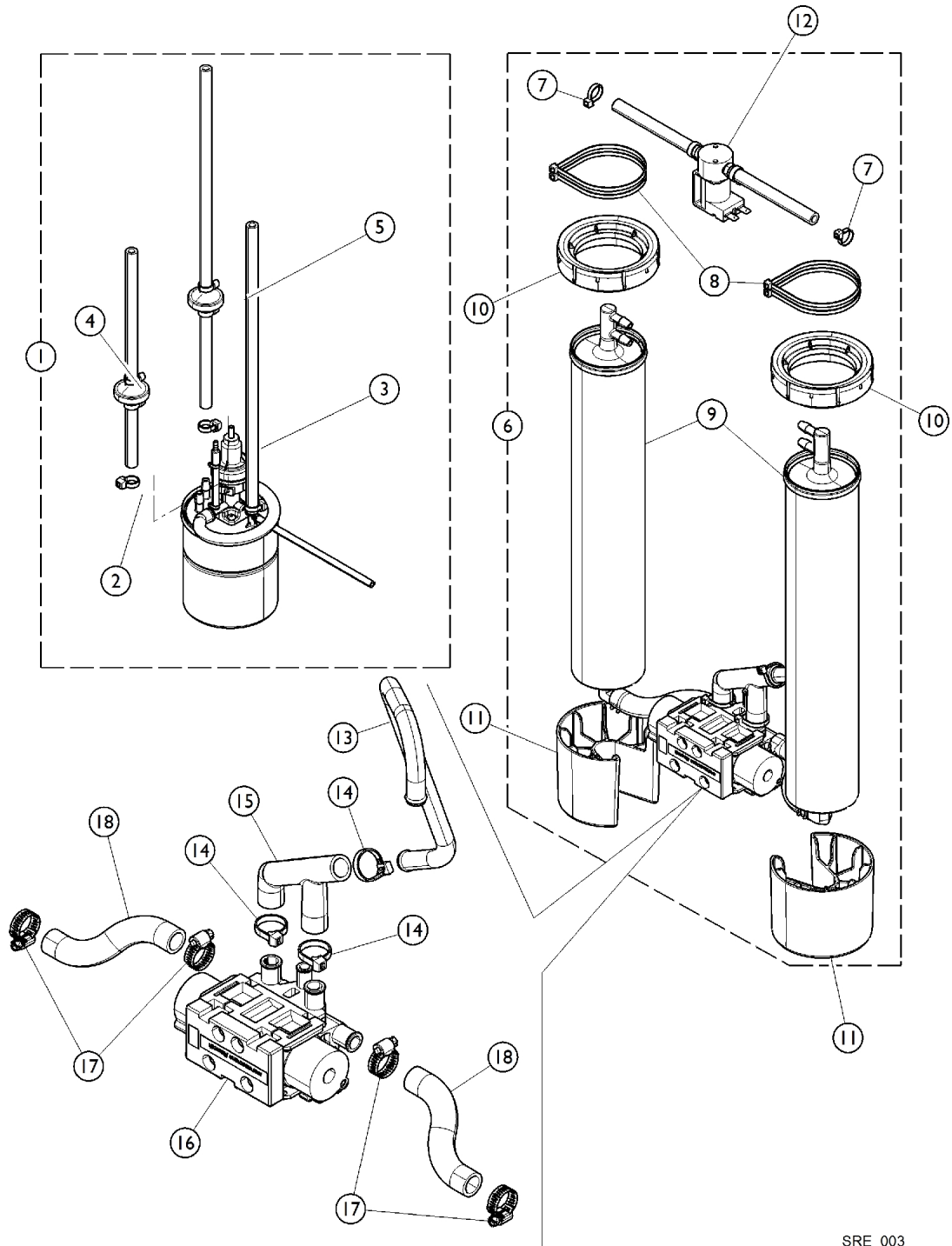


Sieve Bed Assembly and Product Tank

Perfecto2VAW



Sieve Bed Assembly and Product Tank Perfecto2VAW

Item Number	Note	Part Number	Description	Quantity Per	
				Package	Assembly
1		1182226	Product Tank Assembly w/ Senso2 Regulator	1	1
2		2001682	Tie Wrap (8" L)	1	11
3	A	1182500	Kit, Regulator/Adaptor w/ Bled Adaptor, Foam Mount and Check Valve Assy.	1	1
			Kit, Regulator and Adaptor w/ Bled Regulator Mount, Foam Product Tank	1	1
			Check Valve Assembly (14-1/2")	1	1
			Tie Wrap (17-1/2" L)	1	1
			Tie Wrap (8" L)	1	2
			Instruction Sheet, Contents and Application	1	1
4	B	1143544	Check Valve Assembly (9")	1	1
5	C	1182170	Check Valve Assembly (14-1/2")	1	1
6	D,L	1165099	Kit, Sieve Beds (Pair)	1	1
7			Tie Wrap (8" L)	1	4
8			Tie Wrap (17-1/2" L)	1	4
9			NLA - Tech Only - Sieve Bed Assembly	1	2
7		2001682	Tie Wrap (8" L)	1	4
8		1018239	Tie Wrap (17-1/2" L)	1	4
10		1164806-NLA	NLA - Tech Only - Adapter, Sieve Bed Top	1	2
11		1164807	Adapter, Sieve Bed Bottom	1	2
12		1164785	PE Valve Assembly	1	1
13		1143447	Tube, Exhaust	1	1
14		2001682	Tie Wrap (8" L)	1	3
15		1143446	Tube, F	1	1
16	F	1143436	Manifold, Air	1	1
	G	1101141	Kit, 4-Way Valve w/ Screws	1	1
	H,K	1143497-NLA	NLA - Valve, Operator Pilot Low Power	1	1
	H	2003052	Valve, Operator Pilot	1	1
		1085112	O-Ring, Pilot Valve (35/64" I.D.)	1	1
17		P0876X026	Clamp, Hose	1	4
18		1188708	Tube, Polyurethane, Preformed (1/2")	1	2
	J	1164798	Support, Mid	1	1

NOTE: A - Kit includes the Regulator, Adaptor, Tank Mount, Check Valve, Tie Wraps, and Instruction Sheet.
 B - Includes (1) Valve, (2) Tie Wraps, (1) 6" Tubing and (1) 3" Tubing.
 C - Includes (1) Valve, (2) Tie Wraps, (1) 10" Tubing and (1) 4-1/2" Tubing.
 D - Includes items 7-9
 F - Order with 1101141, 2003052, and 1085112.
 G - Includes the 4-Way Valve with Screws only
 H - A new Pilot Valve O-Ring Part #1085112 is recommended when ordering a new Operator Pilot Low Power Valve
 J - Not shown on illustration.
 K - No Longer Available. Order part #2003052 as a replacement.
 L - May contain reactivated sieve.