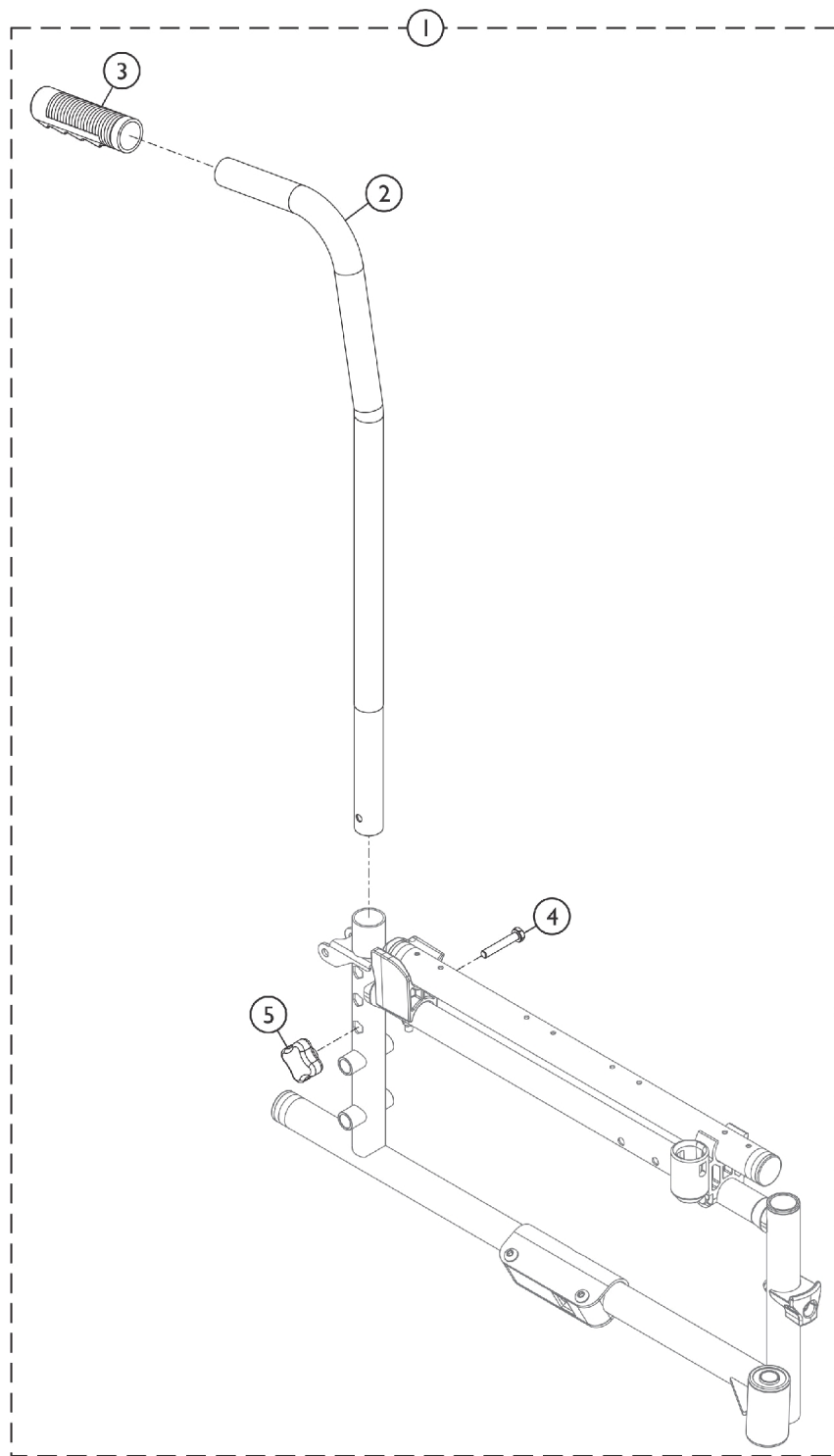


Back Cane and Hardware



SSM_014A

Back Cane and Hardware

Item Number	Note	Part Number	Description	Quantity Per	
				Package	Assembly
1	A,B	1185212	Back Cane w/ Handgrip Assembly, Silver Vein - Right/Left (15 - 17" H)	1	1
2			Back Cane, Silver Vein - Right/Left (15 - 17" H)	1	1
3			Grip, Hand (6")	1	1
4			Screw, Hex Head (M6 x 35)	1	1
5			Turn Knob	1	1

NOTE: A - Includes items 2-5. Back Cane assembly is interchangeable between the right and left side.
 B - The Veranda 3000 has a non-adjustable 16" back height. The Veranda 3000 Side Frame has only one hole to attach the Back Cane. The Veranda 4000 Side Frame has 3 holes to accommodate the adjustable back height.