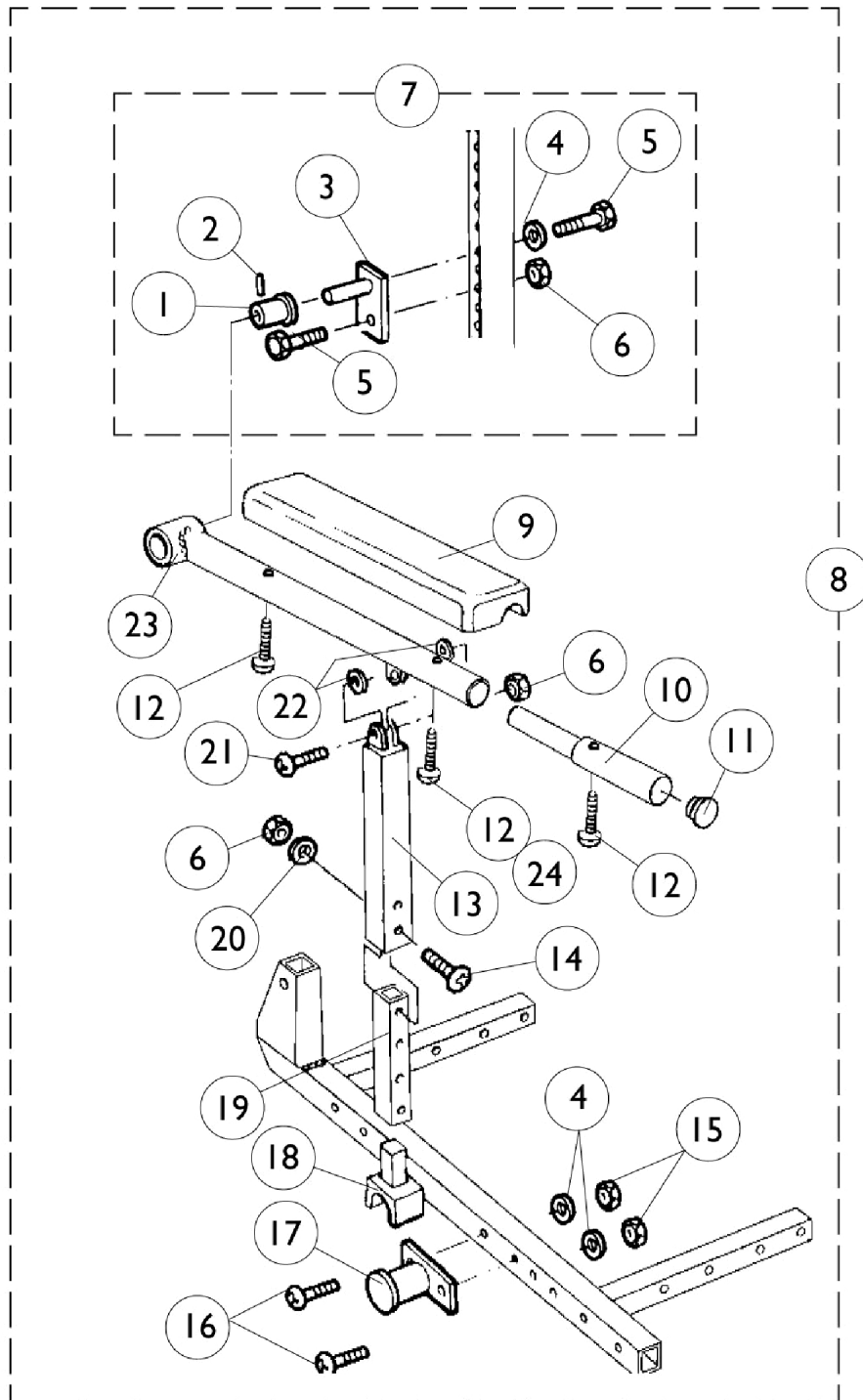


# Armrest Assembly

Basic Recline 4XP or Tilt/Recline & Recline Only



## Armrest Assembly

### Basic Recline 4XP or Tilt/Recline & Recline Only

Item Number	Note	Part Number	Description	Quantity Per	
				Package	Assembly
1		0028101-NLA	NLA - Bushing, Arm	1	1
2		0061500-NLA	NLA - Pin, Roll (3/16 x 5/8")	1	1
3		0028502-NLA	NLA - Mounting Plate and Pin	1	1
4		0050406	Washer, Flat (1/4 x 5/8 x 1/16")	1	1
5		0053006-NLA	NLA - Screw, Hex Head (1/4-20 x 3/4")	1	2
6		7930333	Locknut (1/4-20)	25	3
7		0313800-NLA	NLA - Hardware, Pivot	1	1
8		1072819-NLA	NLA - Arm Assembly, w/ Arm Pad and Pivot Hardware, Full Length, Black - Right	1	1
8		1072820-NLA	NLA - Arm Assembly, w/ Arm Pad and Pivot Hardware, Full Length, Black - Left	1	1
8		1072817-NLA	NLA - Arm Assembly, w/ Arm Pad and Pivot Hardware, Desk Length, Black - Right	1	1
8		1072818-NLA	NLA - Arm Assembly, w/ Arm Pad and Pivot Hardware, Desk Length, Black - Left	1	1
9		0002600-NLA	NLA - Pad, Arm, Full Length (14" L x 3" W)	1	1
9		0002500-NLA	NLA - Pad, Arm, Desk Length (10" L x 3" W)	1	1
10		0028202	Tube, Extension, Full Length	1	1
11		1027095	Plug Button, Black (7/8")	1	1
12		0066306-NLA	NLA - Screw, Phillips Pan Head (#10-32 x 1-1/2")	1	1
13		0028902-NLA	NLA - Tube, Upper Support	1	1
14		0051206-NLA	NLA - Screw, Machine, Hex Socket, Button Head (1/4-20 x 1-1/4)	1	1
15		7930323-NLA	NLA - Package, Locknut (1/4-20)	25	2
16		0051406-NLA	NLA - Screw, Machine, Hex Socket, Flat Head (1/4 x 1-3/4")	1	2
17		0028402-NLA	NLA - Support, Armrest	1	1
18		0064100-NLA	NLA - Block, Glide	1	1
19		0028302-NLA	NLA - Tube, Lower Support	1	1
20		0050506	Lockwasher, High Collar, Split (1/4")	1	1
21		0051606-NLA	NLA - Screw, Cap, Button Head, Socket (1/4-20 x 1")	1	1
22		0050100-NLA	NLA - Washer, Nylon Flat (1/4 x 1/2 x 1/16")	1	2
23		0028802-NLA	NLA - Tube, Armrest - Right	1	1
23		0028702-NLA	NLA - Tube, Armrest, Black - Left	1	1
24	A	0065706	Screw, Phillips Pan Head Tap (#10-16 x 3/4")	1	1

NOTE: A - Item number 24 is used with full length armpads only. Desk length armpads use item number 12 in this position.