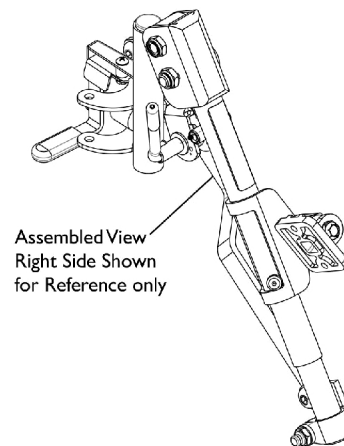
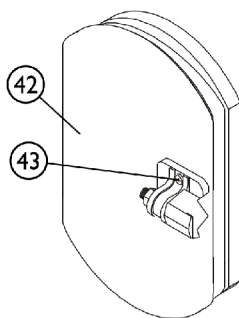
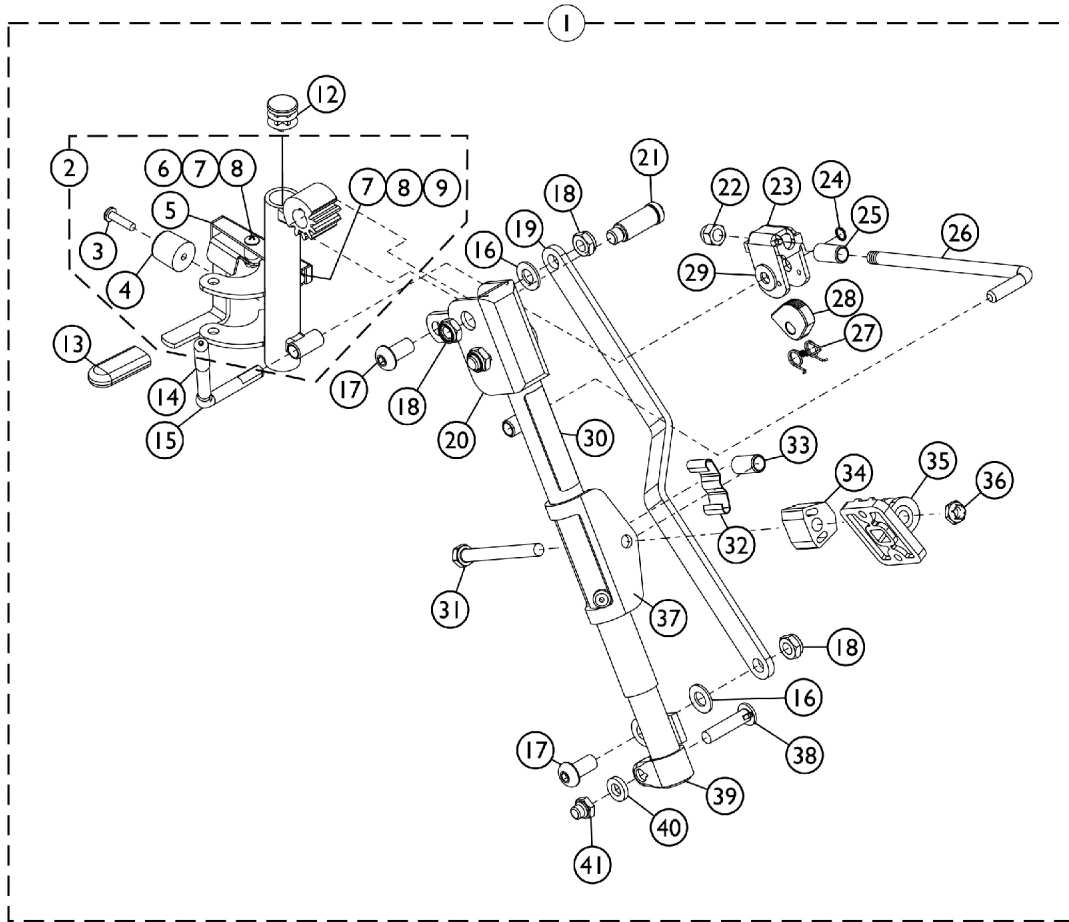


# PHAL4A (Hemi) Articulating Legrest Supports Chrome

Due to a change to the Legrest Calf Pad size made on 4/23/12, you must also order the hardware kit (1068649) when ordering replacement Calf Pads.



# PHAL4A (Hemi) Articulating Legrest Supports Chrome

**Due to a change to the Legrest Calf Pad size made on 4/23/12, you must also order the hardware kit (1068649) when ordering replacement Calf Pads.**

Item Number	Note	Part Number	Description	Quantity Per	
				Package	Assembly
1	B	1114761	Legrest Support Assembly, Articulating, Hemi, Chrome - Right	1	1
1	B	1114762	Legrest Support Assembly, Articulating, Hemi, Chrome - Left	1	1
2	C,F	1114759-NLA	NLA - Tube, Legrest Support, Hemi, Chrome - Right	1	1
2	F	1114760	Tube, Legrest Support, Hemi, Chrome - Left	1	1
3		1030979	Screw, Phillips Pan Head Tap (#10-32 x 3/4")	1	1
4		1022874	Bumper	1	1
5		1114751-NLA	NLA - Handle, Release, Chrome - Right	1	1
5		1114752	Handle, Release, Chrome - Left	1	1
6		47565X057	Bushing (7/32 x 3/8 x 11/32")	1	1
7		60279X003	Locknut (#10-32)	1	1
8		40163X008	Screw, Phillips Pan Head (#10-32 x 11/16")	1	1
9		1008935	Spring, Release - Right	1	1
9		1008936	Spring, Release - Left	1	1
10		67005X000	Rivnut (#10-32)	1	1
11		40163X002	Screw, Phillips Round Head (#10-32 x 1/2")	1	1
12		1027097	Plug Button, Black (3/4")	1	1
13		1006490	Tip, Plastic, Black	1	1
14		1040060	Tip, Plastic, Black	1	1
15		1037126	Handle, Release	1	1
16		1049527	Washer, Nylon (3/8 x 3/4 x 1/16")	1	2
17		1022866-NLA	NLA - Screw, Socket Button Head (3/8-16 x 3/4")	1	2
18		40363X000	Hex Nut (3/8"-16)	1	3
19		1022846-NLA	NLA - Bar, Link, Black	1	1
20		1022877-NLA	NLA - Tube, Support and Drive Link, Chrome - Right	1	1
20		1022878-NLA	NLA - Tube, Support and Drive Link, Chrome - Left	1	1
21		1022854-NLA	NLA - Screw, Shoulder Slotted Head (1/2 x 1-1/8", 3/8-16)	1	1
22		10261X000	Nut, Acorn (5/16-24)	1	1
23		04528X002	Bracket, Release, Black	1	1
24		1040831	Ring, Snap	1	1
25		47328X003	Bushing, Pivot (5/16 x 7/16 x 7/8")	1	2
26		42326X004	Bar, Ratchet - Right/Left	1	1
27		1037485	Spring, Release	1	1
28		1037125	Cam, Legrest	1	1
29		1013519	Washer, Nylon (5/16 x 11/16 x 1/16")	1	1
30		1024911-NLA	NLA - Decal, Smartleg	1	1
31		1014807	Screw, Hex Head (5/16-24 x 3-1/4")	1	1
32		48823X008	Spring, Leaf	1	1
33		47328X003	Bushing, Pivot (5/16 x 7/16 x 7/8")	1	1
34		1025133	Spacer, Legrest Pad, Black	1	1
35		04526X019	Plate, Legrest Pad	1	1
36		60264X001	Locknut (5/16-24)	1	1
37		1025104	Bracket, Legrest, Chrome	1	1

# PHAL4A (Hemi) Articulating Legrest Supports Chrome

Due to a change to the Legrest Calf Pad size made on 4/23/12, you must also order the hardware kit (1068649) when ordering replacement Calf Pads.

Item Number	Note	Part Number	Description	Quantity Per	
				Package	Assembly
38		11232X009	Bolt, Lug (5/16-24 x 1-3/8")	1	1
39		1022848	Tube, Slide, Articulating, Chrome - Right	1	1
39		1022849	Tube, Slide, Articulating, Chrome - Left	1	1
40		1027377	Washer (#20)	1	1
41		1107321	Nut, Low Cap (5/16"-24)	1	1
42	A,E	8881091764	Pad, Legrest, Vinyl - Right/Left	1	1
43	D	1068649	Hardware, Legrest Pad	1	1
			Screw, Phillips Pan Head (#10-32 x 11/16")	1	2
			Screw, Phillips Pan Head (#10-32 x 1")	1	2
			Instruction Sheet, Legrest Pad Mtg.	1	1
NOTE: A - Specify upholstery color U67 black when ordering. B - Includes items 3-41 C - No Longer Available individually. See part # 1114761 for replacement. D - Item Includes Screws and Instruction Sheet. E - Due to a change to the Legrest Calf Pad size made on 4/23/12, you must also order the hardware kit (1068649) when ordering replacement Calf Pads. F - Includes items 3-9.					