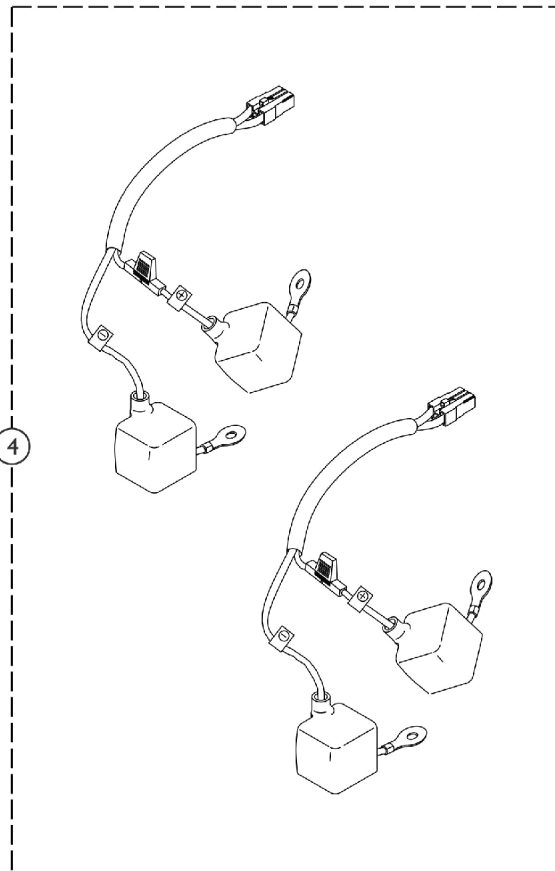
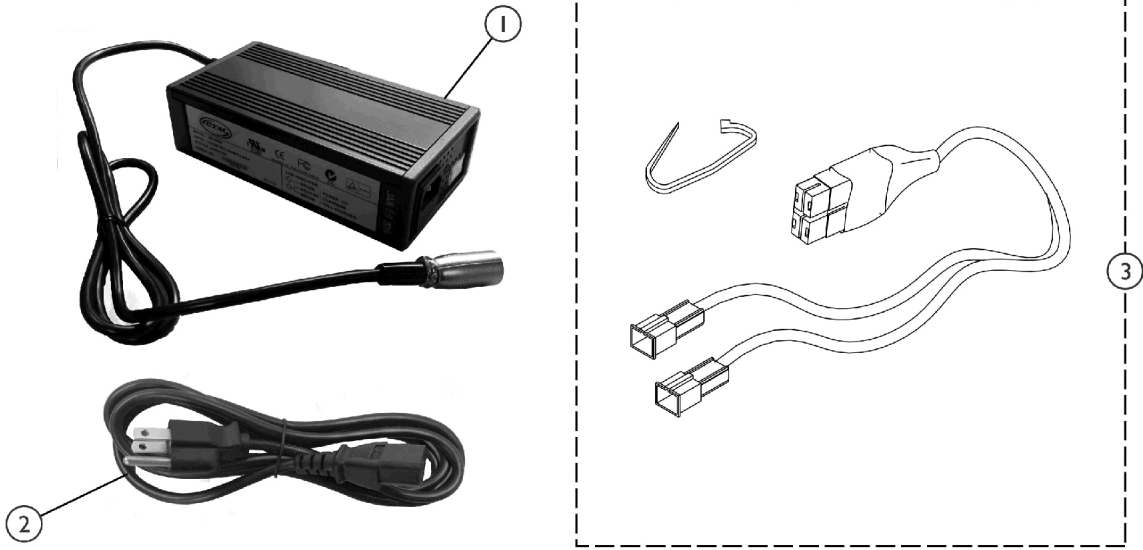


# Batteries, Cables, and Chargers

Item 3 is Temporarily Not Available, Update to follow.



# Batteries, Cables, and Chargers

Item 3 is Temporarily Not Available, Update to follow.

Item Number	Note	Part Number	Description	Quantity Per	
				Package	Assembly
1	A	1148830	Charger, Off-Board, 24 DC (5 AMP)	1	1
2		1144798	Cable, Charger	1	1
4		1186199	Kit, Battery Harness Includes: (1) ea. Battery Wire	1	1

NOTE: A - Cable is not included with this item, please order 1144798 when replacing the Charger.