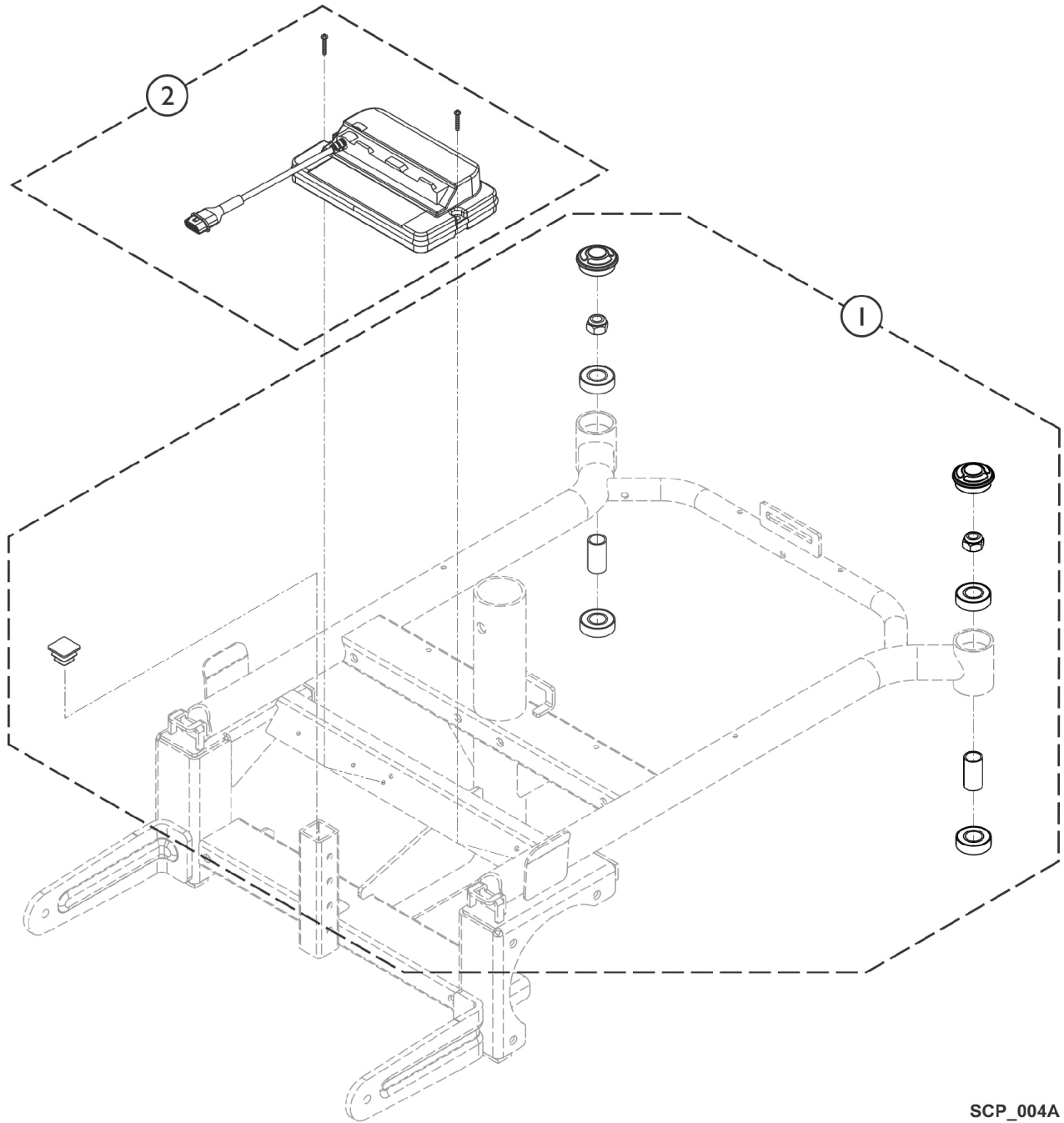


# Controller and Frame Hardware



SCP\_004A

## Controller and Frame Hardware

Item Number	Note	Part Number	Description	Quantity Per	
				Package	Assembly
1		1186175-NLA	NLA - Kit, Headtube Bearing w/ Hardware (Pair) Includes: (4) ea. Bearing (2) ea. Spacer (2) ea. Nylon Nut (2) ea. Cap End	1	1
2		1186176	Kit, Non-Ex Controller w/ Hardware Includes: (1) ea. PG nVR2 Controller (2) ea. Phillips Head Screw	1	1
	A	1186839	Programmer, Controller	1	1

NOTE: A - Not shown in illustration.