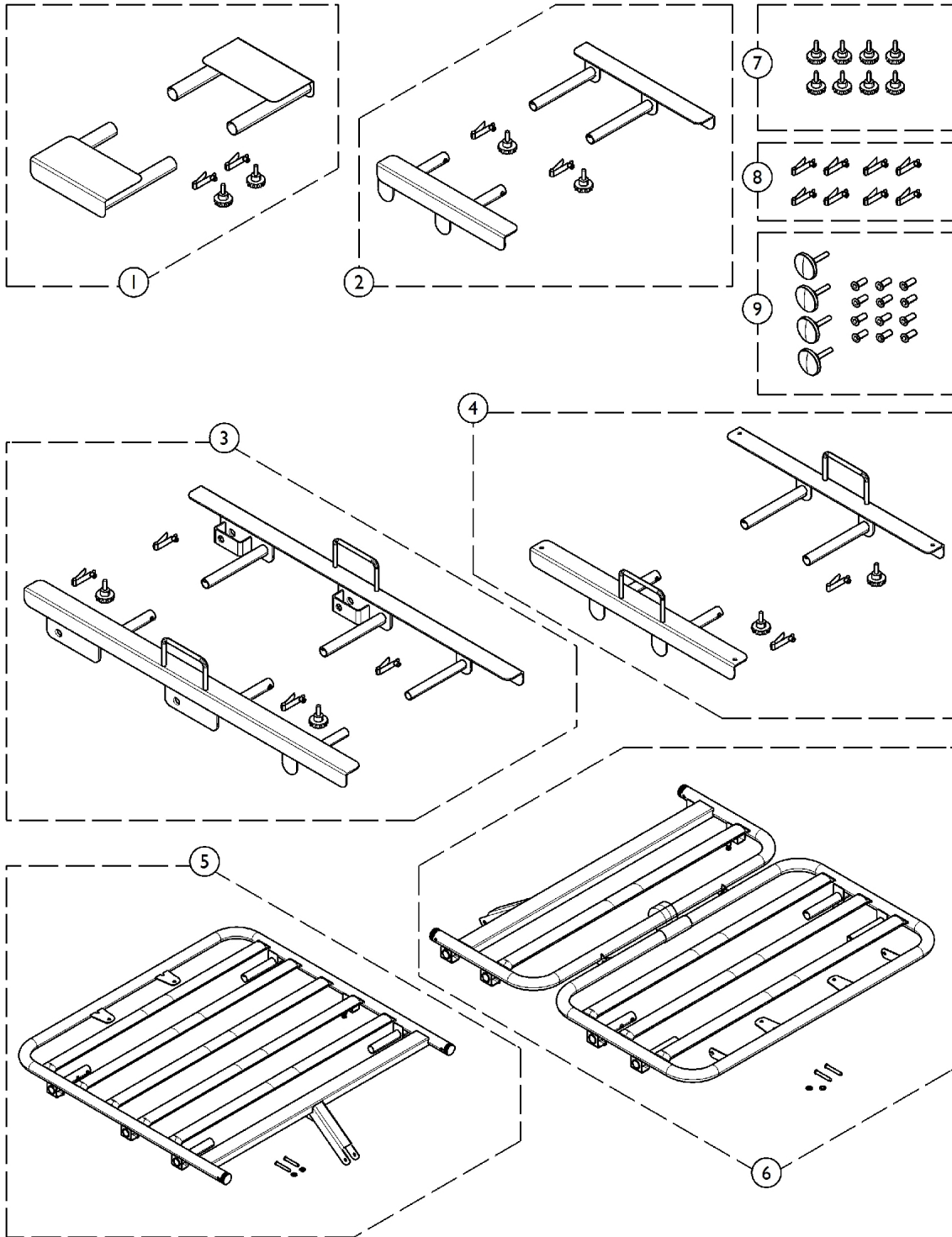


Deck Assembly



Deck Assembly

| Item Number | Note | Part Number | Description | Quantity Per | |
|-------------|------|-------------|--------------------------------------|--------------|----------|
| | | | | Package | Assembly |
| 1 | A | 1165036 | Kit, Seat Deck Slide w/ Hardware | 1 | 1 |
| 2 | B | 1165038 | Kit, Thigh Deck Slide w/ Hardware | 1 | 1 |
| 3 | B | 1165037 | Kit, Head Deck Slide w/ Hardware | 1 | 1 |
| 4 | C | 1165039 | Kit, Foot Deck Slide w/ Hardware | 1 | 1 |
| 5 | | 1165043 | Kit, Head Deck w/ Hardware | 1 | 1 |
| 6 | | 1165046 | Kit, Thigh and Foot Deck w/ Hardware | 1 | 1 |
| 7 | | 1165047-NLA | NLA - Kit, Bed End Hardware | 1 | 1 |
| 8 | | 1165034-NLA | NLA - Package, Snap Button | 8 | 1 |
| 9 | | 1165035 | Package, Round Knob | 8 | 1 |

NOTE: A - Includes (2) Knobs and (2) Snap Buttons.
 B - Includes Deck Slides, (2) Snap Buttons, and (2) Round Knobs.
 C - Includes Deck Slides, (4) Snap Buttons, and (2) Round Knobs.