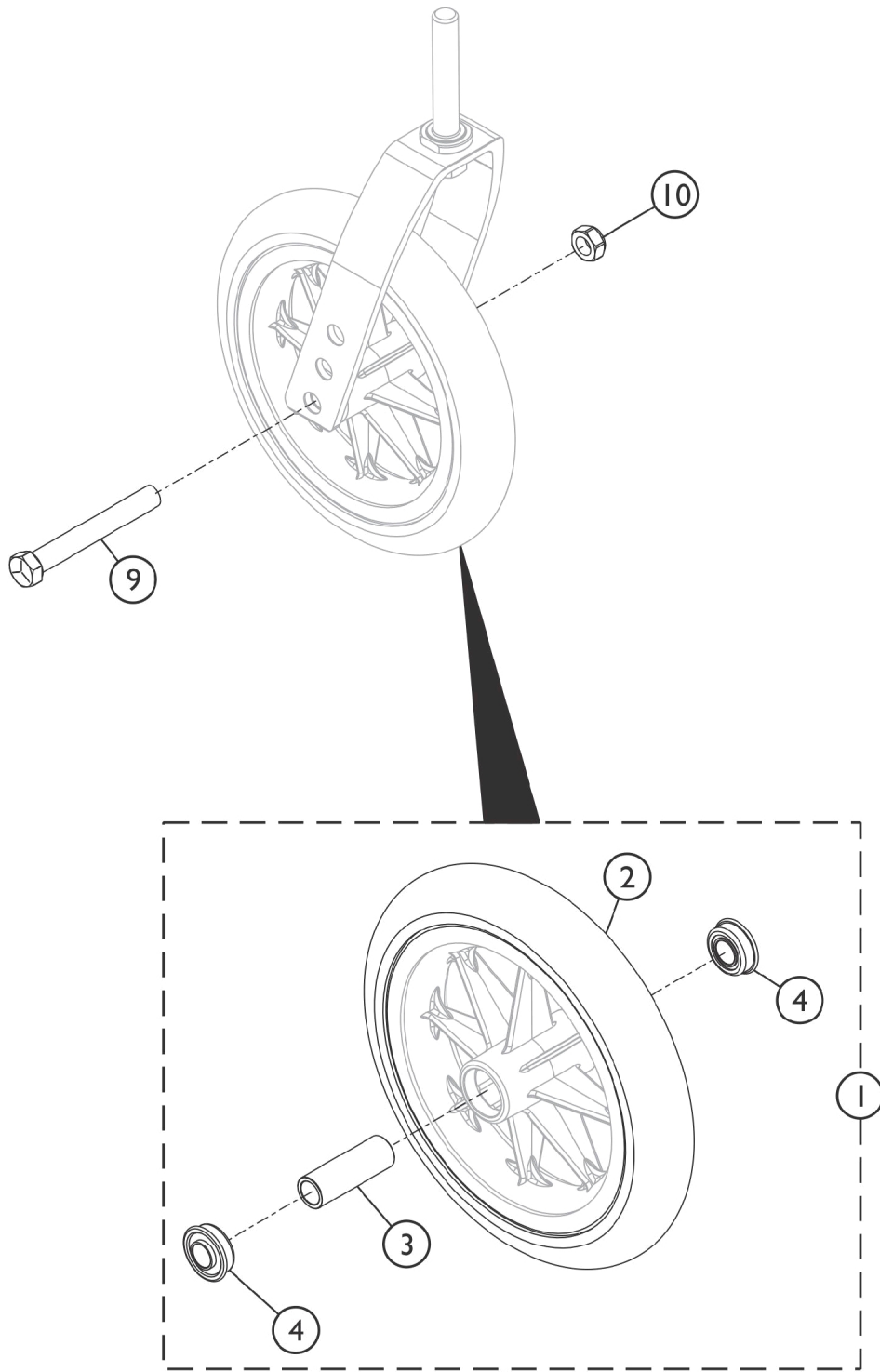


Front Casters and Mounting Hardware



SSM_019A

Front Casters and Mounting Hardware

Item Number	Note	Part Number	Description	Quantity Per	
				Package	Assembly
1	A	1058649	Wheel Assembly, Composite Urethane (8" x 1-1/4")	1	1
2		1038157	Tire, Urethane, Dark Grey (8" x 1-1/4")	1	1
3		1020592	Spacer, Bearing (7/16 x 5/8 x 1-3/4")	1	1
4		1040102	Bearing (7/16")	1	2
9		57667P007	Screw, Hex Head (7/16-20 x 3-1/4")	1	1
10		20225X000	Locknut (7/16-20)	1	1

NOTE: A - Includes items 2-4. Invacare recommends front casters be ordered in pairs.