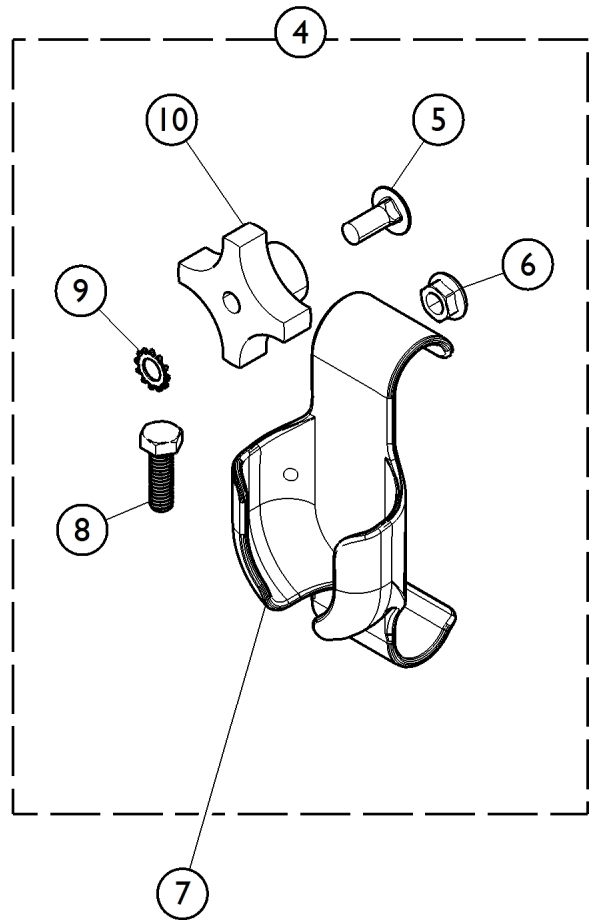
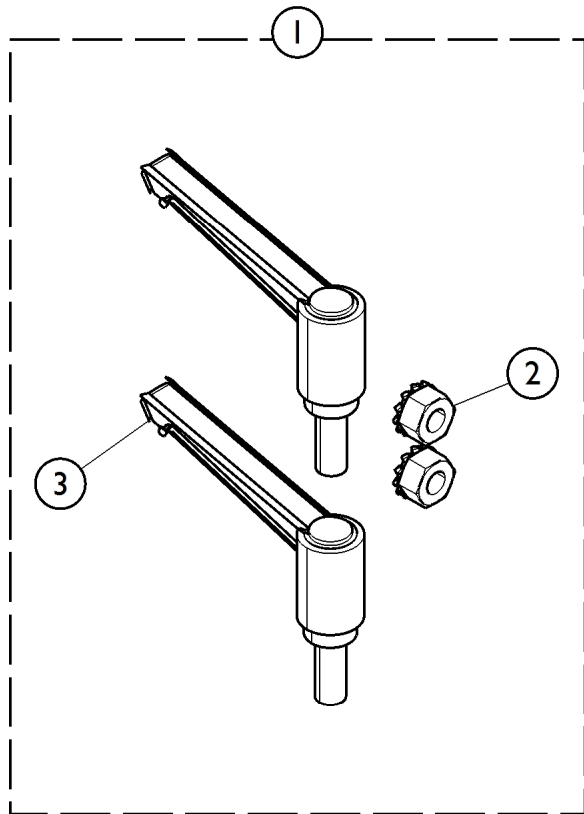


# Assist Bar and Rail Hardware



## Assist Bar and Rail Hardware

| Item Number | Note | Part Number | Description                                     | Quantity Per |          |
|-------------|------|-------------|---|--------------|----------|
|             |      |             |   | Package      | Assembly |
| 1           | A    | 1153370-NLA | Kit, Assist Bar/Rail Mounting Hardware          | 1            | 1        |
|             |      |             | NLA - Handle, Clamping                          | 2            | 1        |
|             |      |             | NLA - Nut, Hex Keps (5/16-18)                   | 2            | 1        |
| 4           | B    | 1159610     | Kit, Assist Bar Mounting Hardware               | 1            | 1        |
| 5           |      |             | Screw, Round Head, Square Neck (5/16-18 x 3/4") | 1            | 2        |
| 6           |      |             | Nut, Hex Head, Flange (5/16-18)                 | 1            | 2        |
| 7           |      |             | Holster, Pendant                                | 1            | 1        |
| 8           |      |             | Bolt, Hex Head (5/16-18 x 1")                   | 1            | 2        |
| 9           |      |             | Lock Washer, External Tooth (5/16)              | 1            | 2        |
| 10          |      |             | Knob, Phenolic (5/16-18)                        | 1            | 2        |
|             |      |             | Loop (1" x 3")                                  | 1            | 1        |
|             |      |             | Label, Caution, Operation, AB French            | 1            | 2        |
|             |      |             | Instruction Sheet, Assist Bar                   | 1            | 1        |
| 4           | B    | 1153764     | Kit, Assist Rail Mounting Hardware              | 1            | 1        |
| 5           |      |             | Screw, Round Head, Square Neck (5/16-18 x 3/4") | 1            | 2        |
| 6           |      |             | Nut, Hex Head, Flange (5/16-18)                 | 1            | 2        |
| 7           |      |             | Holster, Pendant                                | 1            | 1        |
| 8           |      |             | Bolt, Hex Head (5/16-18 x 1")                   | 1            | 2        |
| 9           |      |             | Lock Washer, External Tooth (5/16)              | 1            | 2        |
| 10          |      |             | Knob, Phenolic (5/16-18)                        | 1            | 2        |
|             |      |             | Instruction Sheet, Assist Rail                  | 1            | 1        |
| 7           |      | 1186847     | Holster, Pendant                                | 1            | 1        |

NOTE: A - Used prior to September 9, 2009.  
 B - Used as of September 9, 2009.