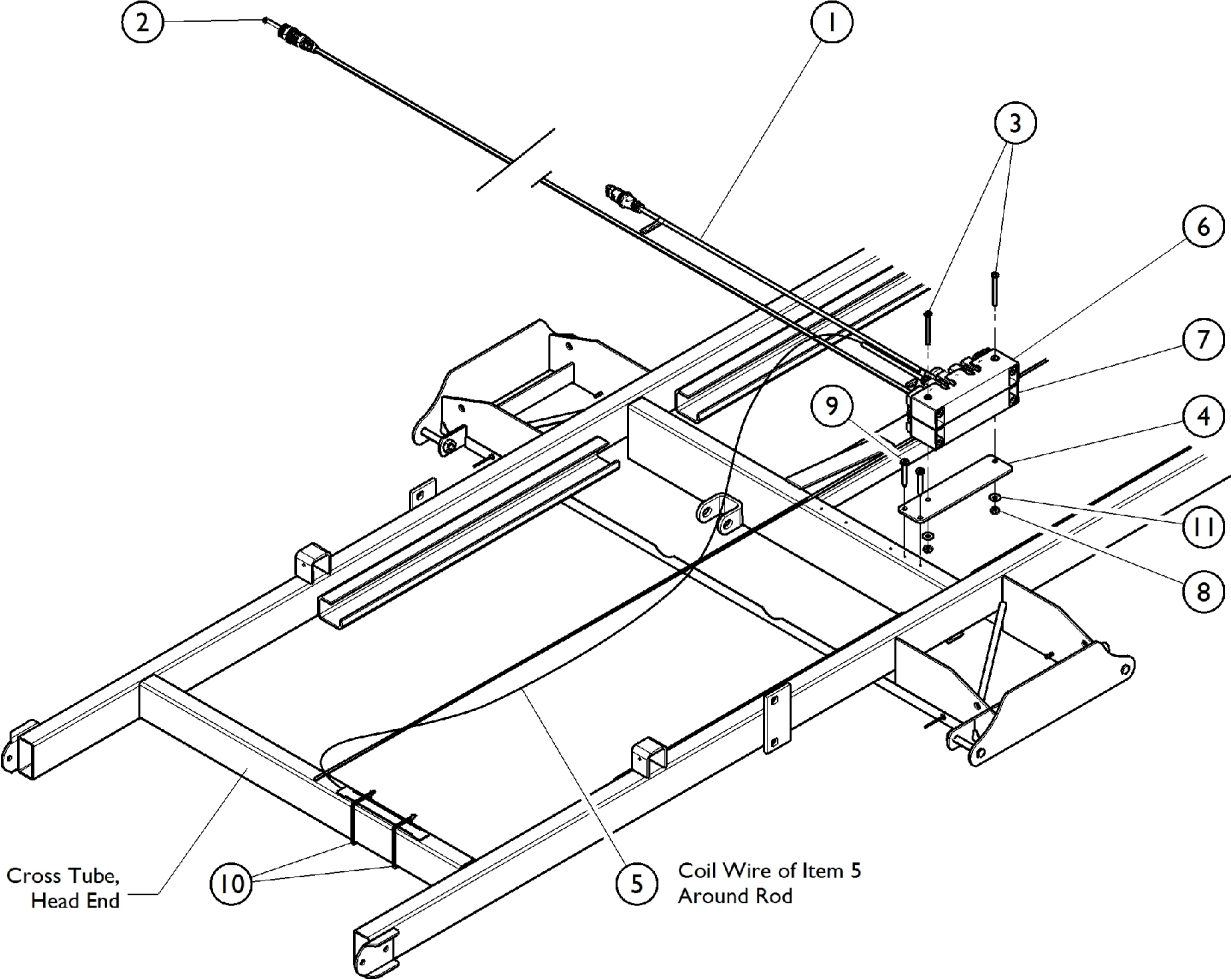


Safety Package Electronics (NLA)



Safety Package Electronics (NLA)

| Item Number | Note | Part Number | Description | Quantity Per | |
|-------------|------|--------------------|--|--------------|----------|
| | | | | Package | Assembly |
| 1 | | 1158415-NLA | Cable, Nurse Call | 1 | 1 |
| 2 | | 1158418-NLA | Cable, Extension | 1 | 1 |
| 3 | | 1158532-NLA | Screw, Phillips Pan Head Machine (8-32 x 2-1/2") | 1 | 1 |
| 4 | | 1158534-NLA | Plate, Open Bus Mounting | 1 | 1 |
| 5 | | 1165073-NLA | Cable, Underbed Light w/ LED | 1 | 1 |
| 6 | | 1165076-NLA | Modular Junction Box Assembly | 1 | 1 |
| 7 | | 1165077-NLA | Modular Junction Box Assembly, Nurse Call | 1 | 1 |
| 8 | | NUT832-NLA | Nut, Hex (8-32) | 1 | 1 |
| 9 | | TEKSCRHX#10-34-NLA | Self Tapping Screw (#10-34) | 1 | 2 |
| 10 | | 1186883-NLA | NLA - Wrap, Tie (8") | 1 | 2 |
| 11 | | WSR#101-NLA | Washer, Lock (#10) | 1 | 2 |