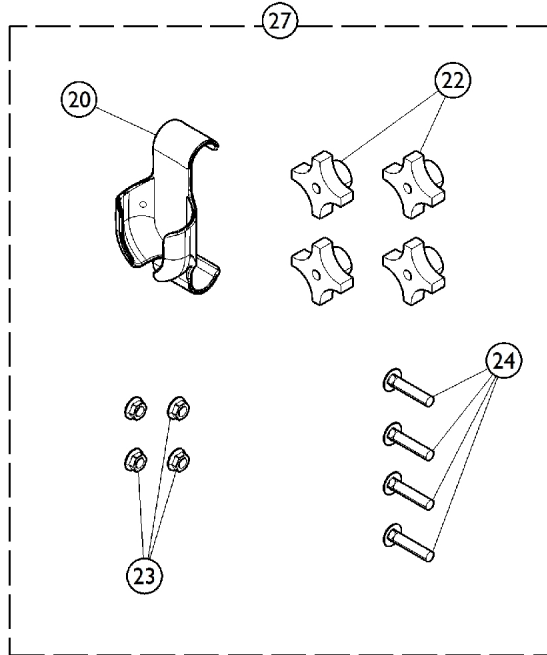
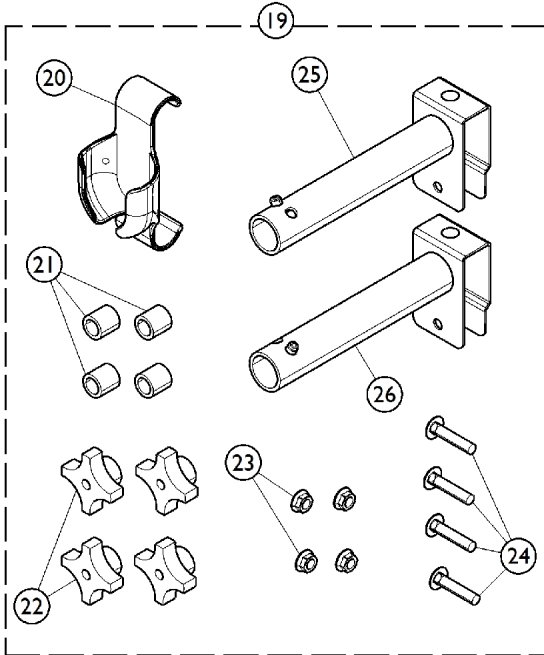
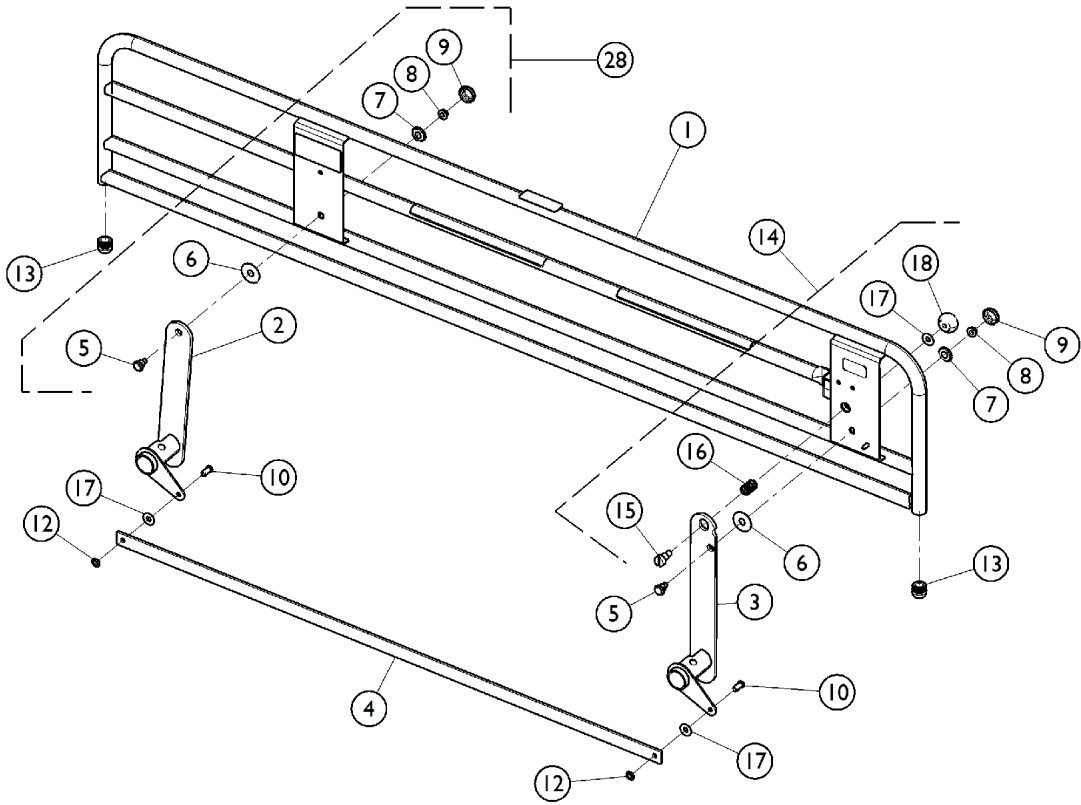


Partial Rail



Partial Rail

Item Number	Note	Part Number	Description	Quantity Per	
				Package	Assembly
1		IHCSRLPA	68" Partial Rail Assembly (Pair)	1	1
2		1153590-NLA	NLA - Arm, Rail, Head End - Left	1	1
2		1153591-NLA	NLA - Arm, Rail, Head End - Right	1	1
3		1153588-NLA	NLA - Arm, Rail, Foot End - Left	1	1
3		1153589-NLA	NLA - Arm, Rail, Foot End - Right	1	1
4		1153595-NLA	NLA - Bar, Linkage - Partial Rail	1	1
28	A	1189261	Kit, Rail Mounting Hardware	1	1
			Pin, Rail (5/16-18)	1	4
			Washer, Nylon (33/64 x 1-29/64 x 3/64")	1	4
			Washer, Retaining (11/32 x 1-3/32 x 3/64")	1	4
			NLA - Nut, Hex Head, Flange (5/16-18)	1	4
			Cap, Bearing	1	4
10		PIN51634-NLA	NLA - Pin, Clevis (5/16" x 3/4")	1	2
11		WSR3834116N-NLA	NLA - Washer, Nylon (3/8 x 3/4 x 1/16")	1	2
12		NUT516PUSH-NLA	NLA - Nut, Push (5/16-18)	1	2
13		1165068	Package, End Plug	1	2
14		1189259	Kit, Knob - Latch	1	1
			Screw, Shoulder Slotted Head (1/2 x 1/2", 3/8-16)	1	1
			Spring, Compression (3/4 x 1 x 3/64")	1	1
			Knob, LATCH-0002 (3/8-16 x 1-3/8")	1	1
16		1186856	Spring, Compression (3/4 x 1 x 3/64")	1	1
19		1153610	Kit, Rail Hardware	1	1
20			Holster, Pendant	1	1
21			NLA - Bushing, Glide - White	4	1
22			Knob, Phenolic (5/16-18)	4	1
23			Nut, Hex Head, Flange (5/16-18)	4	1
24			Screw, Round Head Square Neck (5/16-18 x 1-1/2")	4	1
25			Bracket, Mounting, Rail - Right	1	1
26			Bracket, Mounting, Rail - Left	1	1
			Instruction Sheet, Rail Installation	1	1
			Guide, Bed Rail Entrapment Risk Notification	1	1
20		1186847	Holster, Pendant	1	1
27		1153768	Kit, Rail Hardware w/o Mounting Rails	1	1
20			Holster, Pendant	1	1
22			Knob, Phenolic (5/16-18)	4	1
23			Nut, Hex Head, Flange (5/16-18)	4	1
24			Screw, Round Head Square Neck (5/16-18 x 1-1/2")	4	1
			Instruction Sheet, Rail Installation	1	1
			Guide, Bed Rail Entrapment Risk Notification	1	1

NOTE: A - Kit includes items 5 - 9. Includes hardware for both Head End and Foot End Arm Rails.