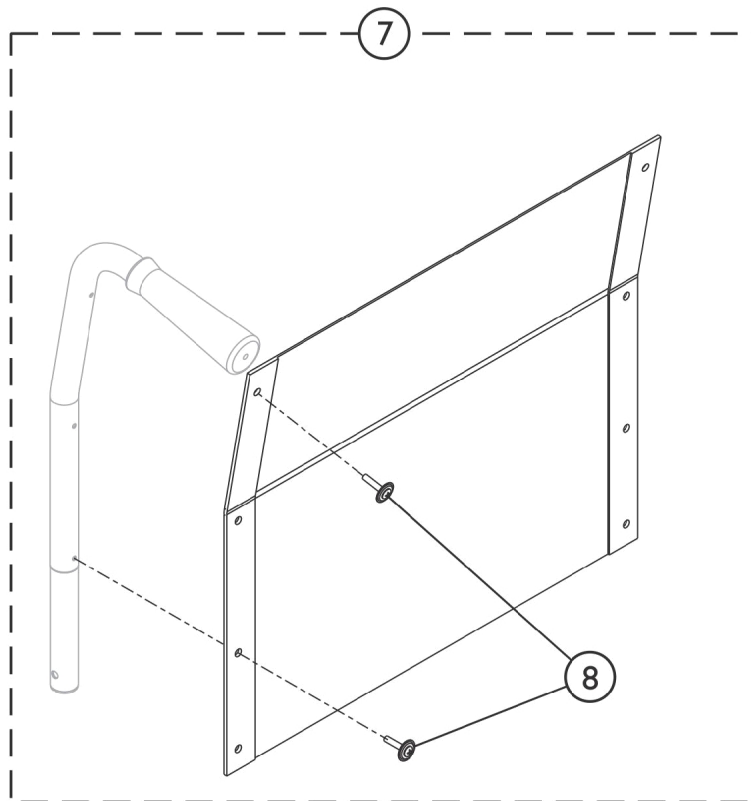
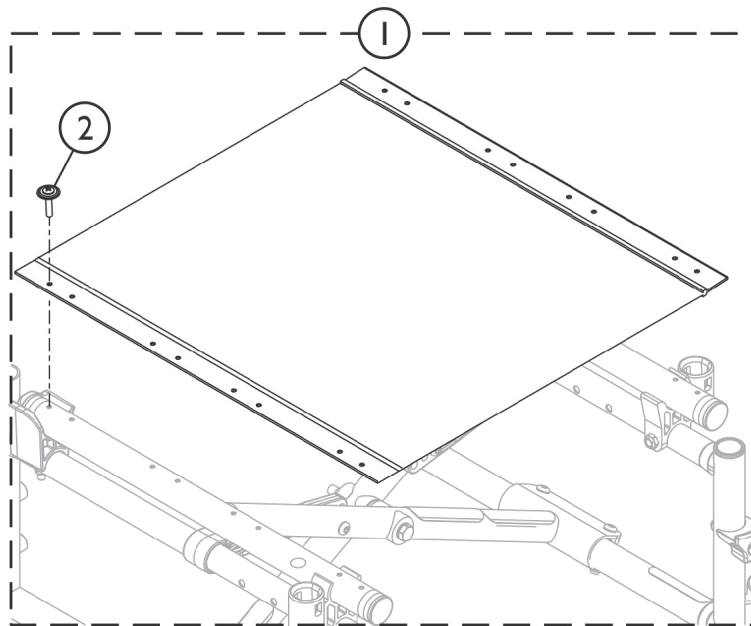


Upholstery - Seat, Back and Hardware



SSM_018A

Upholstery - Seat, Back and Hardware

Item Number	Note	Part Number	Description	Quantity Per	
				Package	Assembly
1	A	See Chart	Item #1 - Upholstery - Seat and Hardware	1	1
2		1041541	Package, Screw Phillips Csunk Oval Head w/ Washer (#10-16 x 7/8") (12 ea.)	12	1
7	B	See Chart	Item #7 - Upholstery - Back and Hardware	1	1
8		1091073	Hardware, Upholstery - Screws w/ Washers (Pkg. of 6)	6	1

NOTE: A - Includes item 2.
B - Includes item 8.

Item #1 - Upholstery - Seat and Hardware

Chair Dimensions	Part Number
16" W x 16" D	1127531
18" W x 16" D	1127533
18" W x 18" D	1127534
20" W x 16" D	1127535
20" W x 18" D	1127536

Item #7 - Upholstery - Back and Hardware

Chair Width	Part Number
16" W	1127480
18" W	1127482
20" W	1127484