

Seat Pan & Extensions

Basic Tilt & Tilt Only

NOTE: To achieve a 17" seat depth, order a 16" deep seat pan and 1" extension kit.

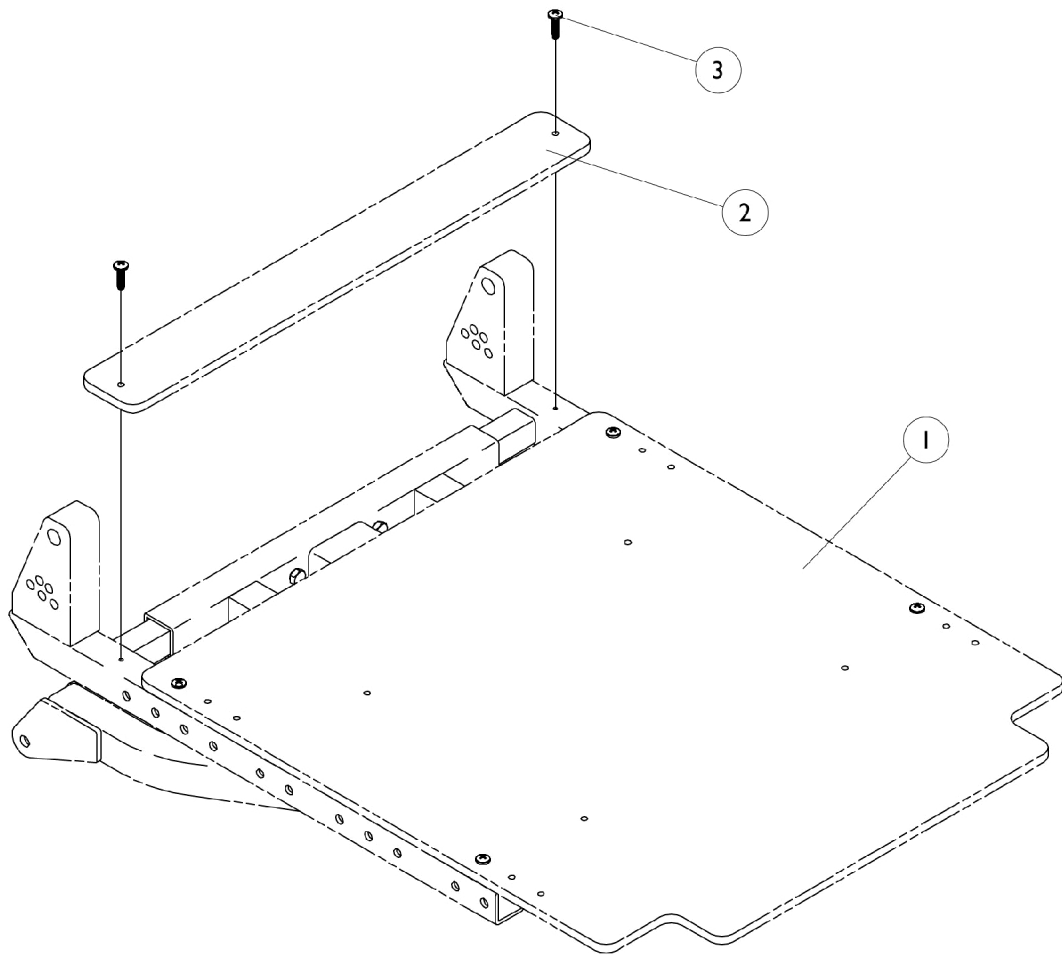
NOTE: To achieve a 19" seat depth, order a 18" deep seat pan and 1" extension kit.

NOTE: To achieve a 20" seat depth, order a 18" deep seat pan and 2" extension kit.

NOTE: 21" and 22" wide seat pans are the only exceptions.

NOTE: 23"-24" Wide x 23"-24" Deep order as specials.

NOTE: 14"-22" Wide x 23"-24" Deep order as specials.



Seat Pan & Extensions

Basic Tilt & Tilt Only

NOTE: To achieve a 17" seat depth, order a 16" deep seat pan and 1" extension kit.

NOTE: To achieve a 19" seat depth, order a 18" deep seat pan and 1" extension kit.

NOTE: To achieve a 20" seat depth, order a 18" deep seat pan and 2" extension kit.

NOTE: 21" and 22" wide seat pans are the only exceptions.

NOTE: 23"-24" Wide x 23"-24" Deep order as specials.

NOTE: 14"-22" Wide x 23"-24" Deep order as specials.

Item #1 Seat Pan

Width	16" Deep	17" Deep	18" Deep	19" Deep	20" Deep	21" Deep	22" Deep
14"	1073042-NLA	N/A	1073044-NLA	N/A	N/A	0289919-NLA	0290019
15"	1073043-NLA	N/A	1073045-NLA	N/A	N/A	0290319-NLA	0290419-NLA
16"	0314719-NLA	N/A	0122519-NLA	N/A	N/A	0290719-NLA	0290819-NLA
17"	0314819	N/A	0122619-NLA	N/A	N/A	0291119-NLA	0291219-NLA
18"	0314919-NLA	N/A	0122719-NLA	N/A	N/A	0291519-NLA	0219619
19"	0315019	N/A	0122819	N/A	N/A	0291919-NLA	0292019-NLA
20"	0315119-NLA	N/A	0122919-NLA	N/A	N/A	0292319	0292419
21"	0315219-NLA	1073094-NLA See Note(s) A	0170019	1073096-NLA See Note(s) A	1073110-NLA See Note(s) A	0292719-NLA	0292819-NLA
22"	0315319-NLA	1073095-NLA See Note(s) A	0170119	1073097-NLA See Note(s) A	1073111-NLA See Note(s) A	0293119-NLA	0293219

NOTE: A - Seat pans for 21" and 22" wide are made out of 1 piece material for 17", 19" and 20" deep.

NOTE: To achieve a 17" seat depth, order a 16" deep seat pan and 1" extension kit.

NOTE: To achieve a 19" seat depth, order a 18" deep seat pan and 1" extension kit.

NOTE: To achieve a 20" seat depth, order a 18" deep seat pan and 2" extension kit.

NOTE: 21" and 22" wide seat pans are the only exceptions.

NOTE: 23"-24" Wide x 23"-24" Deep order as specials.

NOTE: 14"-22" Wide x 23"-24" Deep order as specials.

Item #2 Extensions

Width	1" Deep	2" Deep
14"	1073046-NLA	1073048-NLA
15"	1073047-NLA	1073049-NLA
16"	0123519-NLA	0123019-NLA
17"	0123619-NLA	0123119-NLA
18"	0123719-NLA	0123219-NLA
19"	0123819-NLA	0123319-NLA
20"	0123919-NLA	0123419-NLA

Seat Pan & Extensions

Basic Tilt & Tilt Only

NOTE: To achieve a 17" seat depth, order a 16" deep seat pan and 1" extension kit.

NOTE: To achieve a 19" seat depth, order a 18" deep seat pan and 1" extension kit.

NOTE: To achieve a 20" seat depth, order a 18" deep seat pan and 2" extension kit.

NOTE: 21" and 22" wide seat pans are the only exceptions.

NOTE: 23"-24" Wide x 23"-24" Deep order as specials.

NOTE: 14"-22" Wide x 23"-24" Deep order as specials.

Item Number	Note	Part Number	Description	Quantity Per	
				Package	Assembly
1		See Chart	#1 Seat Pan and Extensions	1	1
2		See Chart	#2 Seat Pan and Extensions	1	1
3		1072695-NLA	NLA - Screw, Phillips Pan Head Tap (#6 x 1/2")	1	4