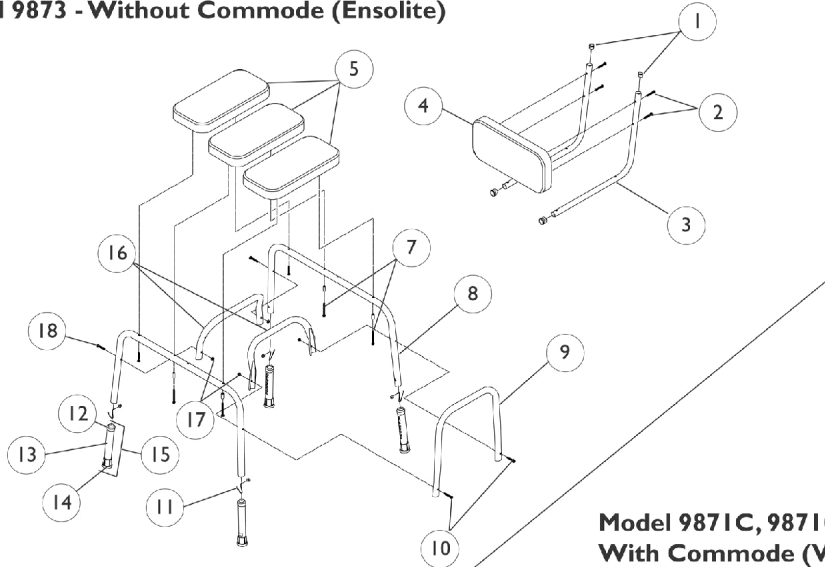


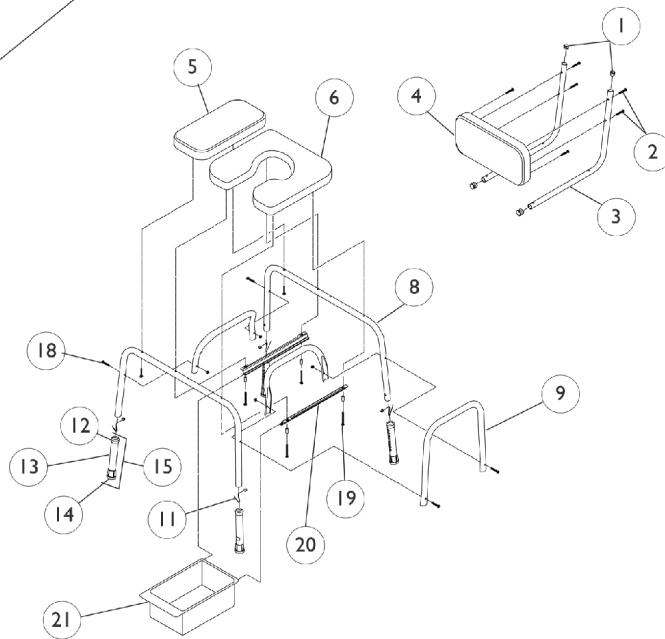
Transfer Bench

NOTE: Model 9871C was discontinued on 3/12/03.

Model 9871, 9871-I - Without Commode (Vinyl)
Model 9873 - Without Commode (Ensolite)



**Model 9871C, 9871C-I
With Commode (Vinyl)**
**Model 9873C
With Commode (Ensolite)**



Transfer Bench

NOTE: Model 9871C was discontinued on 3/12/03.

Item Number	Note	Part Number	Description	Quantity Per	
				Package	Assembly
1		1027096	Plug Button, Grey (7/8")	1	4
2		1075176	Screw, Slotted Hex Washer Head Tap (#10-16 x 1-1/2")	1	6
3		1075036	Support, Back	1	2
4		1075183	Pad, Vinyl, Grey	1	1
4	I	1073265-NLA	NLA - Pad, Seat, Ensolite, Grey	1	1
5	A,B	1073264-NLA	NLA - Pad, Seat, Vinyl, Grey	1	3
5	C	1073264-NLA	NLA - Pad, Seat, Vinyl, Grey	1	1
5	D,E	1127869-NLA	NLA - Pad, Seat, Ensolite, Grey	1	1
6	C	1075656-NLA	NLA - Pad, Commode, Vinyl, Grey	1	1
6	E	1075655-NLA	NLA - Pad, Commode, Ensolite, Grey	1	1
7		1102582	Screw, Slot Hex Washer Head Tap (#10-16 x 2-3/8")	1	4
8		1048897	Leg, Bench	1	2
9		1060379	Tube, Seat Arm	1	1
10		1115001	Screw, Phillips Pan Head (1/4-20 X 1-5/8")	1	2
11		1094945	Button, Snap	1	4
12		1063124	Anti-Rattle, Grey (1-1/8")	1	4
13		1022925	Tube, Leg Extension	1	4
14		1057797	Tip, Rubber, Light Grey (1-1/8")	1	4
15	F	1058806-NLA	NLA - Leg Extension Assembly	1	4
16		1062820	Rail, End	1	2
17		60275X000	Locknut (1/4-20)	1	4
18		1044142	Screw, Phillips Pan Head (1/4-20 x 1-3/8")	1	2
19		1022930	Screw, Phillips Pan Head (#10-24 x 2-1/2")	1	4
20		1075045	Holder, Pan	1	2
21	C,E	1074676	Pan	1	1
	D,G	1075932-NLA	NLA - Kit, Hardware	1	1
			Screw, Phillips Pan Head (#10-24 x 1-1/2")	1	6
			NLA - Screw, Phillips Pan Head (1/4-20 x 1-1/4")	1	2
			Locknut (1/4-20)	1	2
			NLA - Screw, Phillips Pan Head (1/4-20 x 1-1/2")	1	2
			Screw, Phillips Pan Head (#10-24 x 2-1/2")	1	4
	A,G,H	1075038-NLA	NLA - Kit, Hardware	1	1

NOTE: A - To be used with Model 9871.
 B - To be used with Model 9871-1.
 C - To be used with Model 9871C.
 D - To be used with Model 9873.
 E - To be used with Model 9873C.
 F - Includes Items 12, 13 and 14.
 G - Not Shown.
 H - Includes Items 2, 7, 10, 17 and 18.
 I - Item No Longer Available. Refer to part number 1127869 for Replacement.