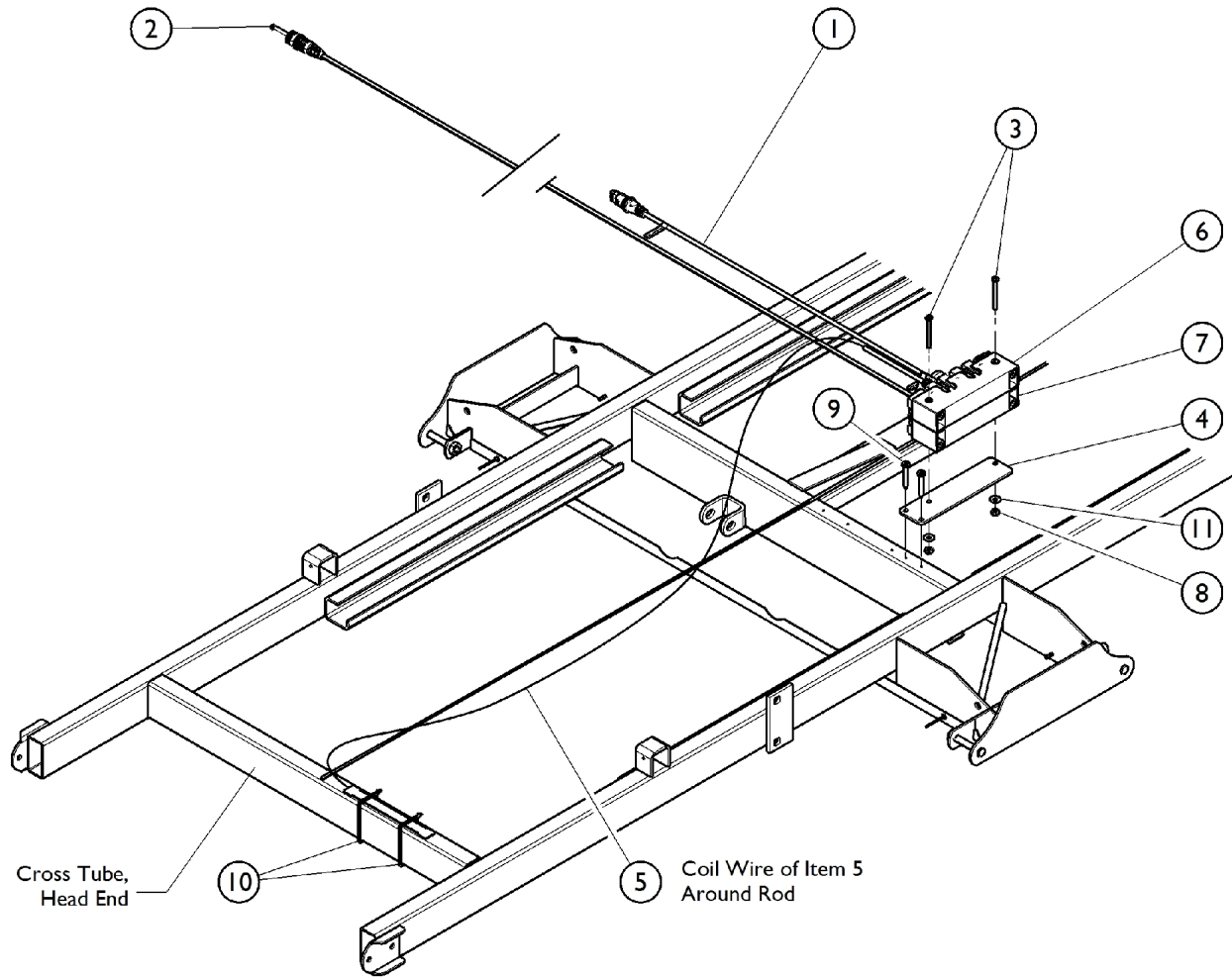


Safety Package Electronics - NLA



Safety Package Electronics - NLA

Item Number	Note	Part Number	Description	Quantity Per	
				Package	Assembly
1		1158415-NLA	Cable, Nurse Call	1	1
2		1158418-NLA	Cable, Extension	1	1
3		1158532-NLA	Screw, Phillips Pan Head Machine (8-32 x 2-1/2")	1	1
4		1158534-NLA	Plate, Open Bus Mounting	1	1
5		1165073-NLA	Cable, Underbed Light w/ LED	1	1
6		1165076-NLA	Modular Junction Box Assembly	1	1
7		1165077-NLA	Modular Junction Box Assembly, Nurse Call	1	1
8		NUT832-NLA	Nut, Hex (8-32)	1	1
9		TEKSCRHX#10-34-NLA	Self Tapping Screw (#10-34)	1	2
10		1186883-NLA	NLA - Wrap, Tie (8")	1	2
11		WSR#101-NLA	Washer, Lock (#10)	1	2